

All information contained in this manual is based on the latest product information at the time of publication. Bajaj Auto Limited accepts no liability for any inaccuracies or omissions in this publication, although every possible care has been taken to make it as complete and accurate as possible. All procedures and specifications subject to change without prior notice. The right is reserved to make such changes at any time without prior notice and without incurring an obligation to make such changes to product manufactured previously. Contact authorized KTM Dealer for the latest information on product improvements incorporated after this manual was issued.

**DOC. NO.: 71010022**

**REV. 02 SETP. 13**

**Dear KTM dealers,**

We have pleasure in presenting the 1<sup>st</sup> 3D Colored Spare Parts Catalogue for 'KTM 200 DUKE' Model. This catalogue has been specially designed to assist you in selecting the correct parts for procurement to maintain 100% availability.

The KTM spares are subjected to the stringent quality control standards to ensure longer life of the vehicle. It is therefore necessary that only the Genuine KTM Spares are used.

In a continual effort to improve Performance and Efficiency of the vehicles, Specifications, Diagrams, Illustrations and Part Numbers can change without notice. Consequently, the description in this Spare Parts Catalogue cannot therefore be final and binding on us.

The modifications / alterations which are carried out after the issue of this catalogue, will be conveyed to you through our Service Circulars. You are requested to make necessary corrections in the Parts Catalogue as per the circulars so as to keep your catalogue up-to-date. This will ensure the appropriate and speedy delivery of the Spare Parts as the order placed will bear the latest part numbers.

In case, if you need any technical assistance contact the concerned Regional Office or write to us on the following address :

**Service Department - KTM  
Bajaj Auto Limited  
Akurdi, Pune 411 035 India**



**1. How to Read the Catalogue :** Open the catalogue and from the pictorial index locate the group in which the part you want to find is present. Turn over to the concerned page number (as given by pictorial index). Now find out the figure of the part you wish to order. Write down the part number against that particular figure number from the text.

In case, if you have the part number and you need the other details, the part index can be used. The part index (at the end of the catalogue) will give you the figure and page number of the part you wish to order.

**2. How to Order Spare Parts :** The part number and the description of the part required should be invariably mentioned in the order as per the catalogue text.

The latest part number as conveyed through our service circulars should only appear on the order. In case of ordering painted components, colour shade of the components should be mentioned.

The quantity shown against the part number is the quantity per vehicle for that group so that particular quantity should be multiplied by the number of sets required.

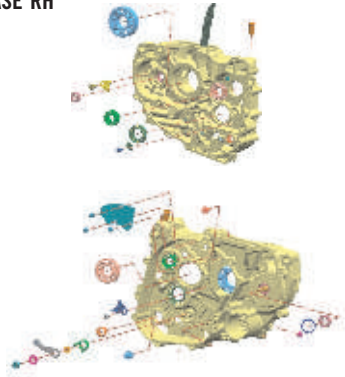
**3. Part Number System:** We have used 8 digit system for part numbers. The model or hardware item is indicated by first two digits or alphanumeric, the next two or four digits indicate main group and the last four or two digits indicate serial number in main group or serial number or subgroup of fastener respectively. Thus the part numbers will be indicated by 2-2-4 or 2-4-2 digit system. Understanding this system will enable you to identify the spare parts easily.

**4. Abbreviations :** The following abbreviations are used in this catalogue.

assly.	Assembly	V	Volts
N.I.	Not illustrated	W	Watts
C'case	Crankcase	accl.	Accelerator
Cyl	Cylinder	Comp.	Complete
o/s.	Over size	Fr	Front
Std.	Standard	L	Length
A/t.	Alternate	Rr	Rear
R.H.	Right hand	Hex.	Hexagonal
L.H.	Left hand	AR	As required

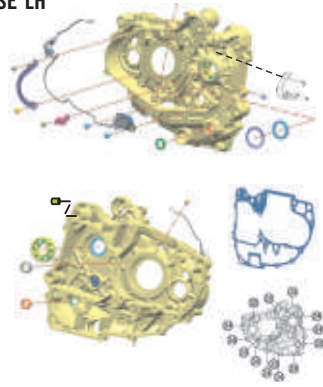
No.	Description	Page No.
1	Crankcase RH	1
2	Crankcase LH	2
3	Clutch Cover	3
4	Balancer Shaft	4
5	Cylinder	5
6	Crankshaft, Piston	6
7	Clutch	7
8	Transmission Main Shaft	8
9	Transmission Counter Shaft	9
10	Shifting Mechanism	10,11
11	Radiator Assembly	12
12	Cooling System	13
13	Valve Drive	14
14	Timing Drive	15
15	Cylinder Head	16
16	Lubrication System	17
17	Ignition System	18
18	Electric Starter	19
19	Throttle Body	20
20	Front Fork Triple Clamp	21
21	Handle Bar Conreols	22
22	Frame	23,24
23	Side / Center Stand	25
24	Shock Absorber	26
25	Swing Arm	27
26	Exhaust System	28
27	Air Filter	29
28	Tank, Cover	30
29	Seats	31
30	Fuel Pump	32
31	Mask, Fender	33
32	Belly Pan	34
33	Decal	35
34	Front Wheel	36
35	Rear Wheel	37
36	Wiring Harness	38
37	Brake System - Front	39
38	Brake System - Rear	40
39	Lighting System	41
40	Instrument Lock System	42
41	Tool Kit	43
42	Leg Guard, Saree Guard	44
43	Part Index	45

CRANKCASE RH



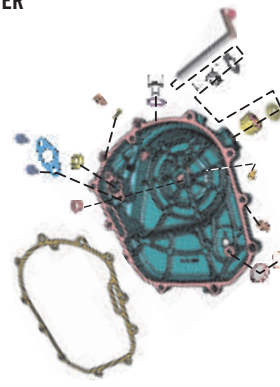
1

CRANKCASE LH



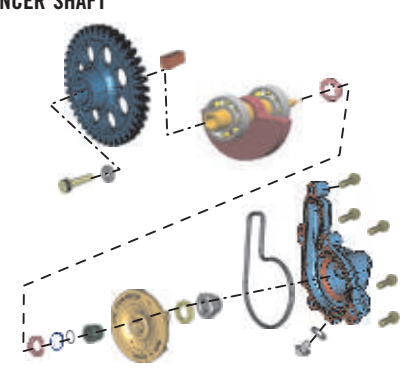
2

CLUTCH COVER



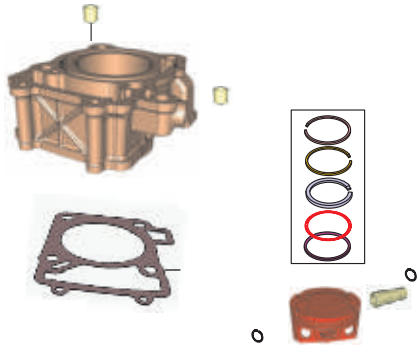
3

BALANCER SHAFT



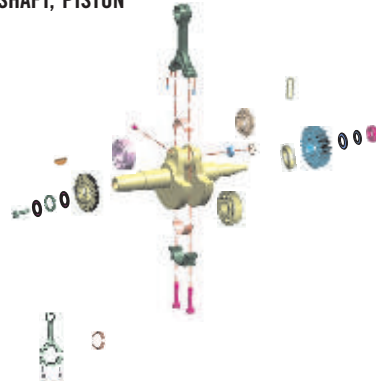
4

CYLINDER



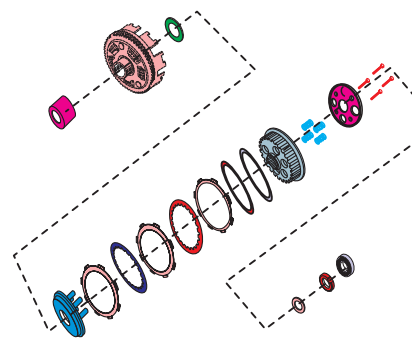
5

CRANKSHAFT, PISTON



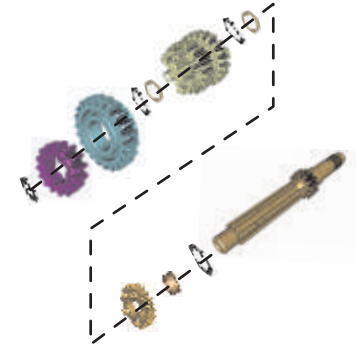
6

CLUTCH



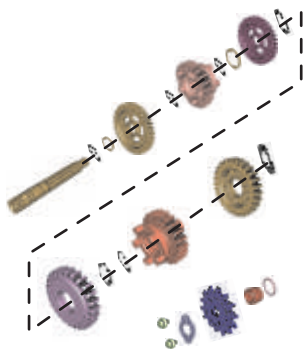
7

TRANSMISSION MAIN SHAFT



8

TRANSMISSION COUNTER SHAFT



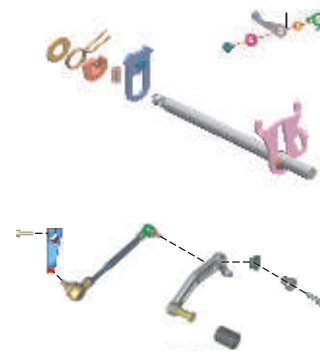
9

SHIFTING MECHANISM



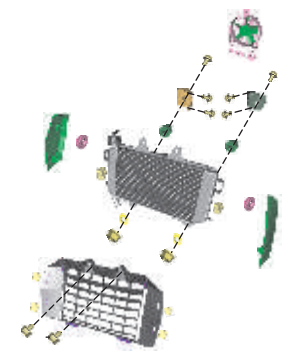
10

SHIFTING MECHANISM



11

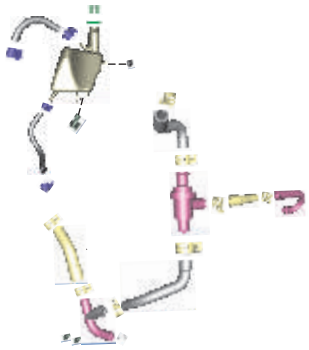
RADIATOR ASSEMBLY



12

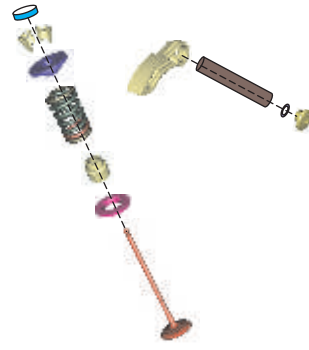
COOLING SYSTEM

13



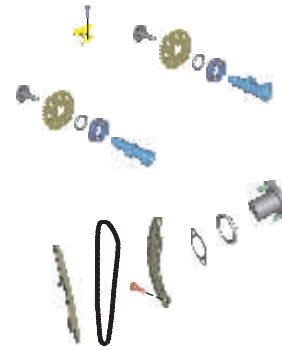
VALVE DRIVE

14



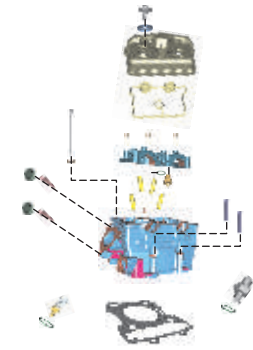
TIMING DRIVE

15



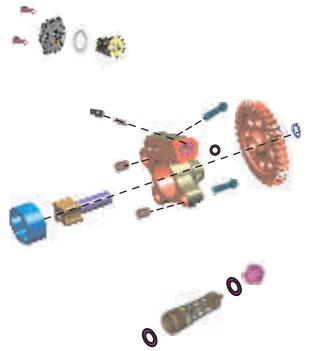
CYLINDER HEAD

16



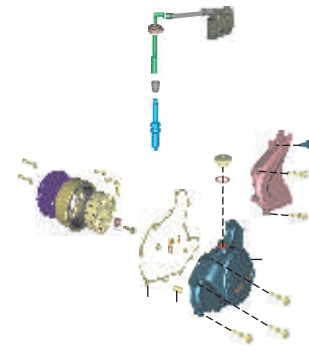
LUBRICATION SYSTEM

17



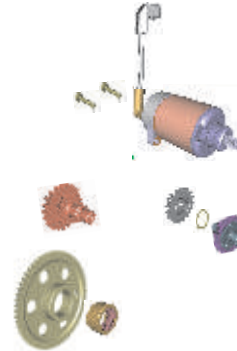
IGNITION SYSTEM

18



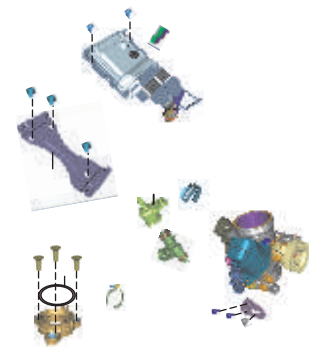
ELECTRIC STARTER

19



THROTTLE BODY

20



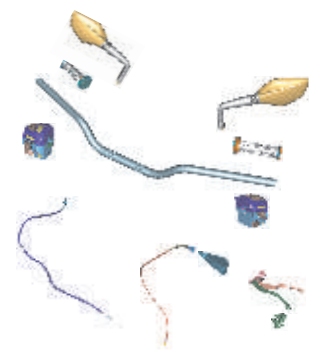
FRONT FORK TRIPLE CLAMP

21



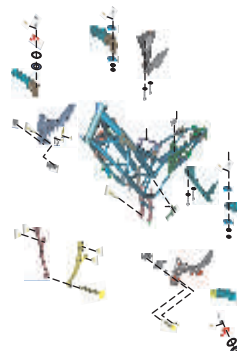
HANDLE BAR CONREOLS

22,23



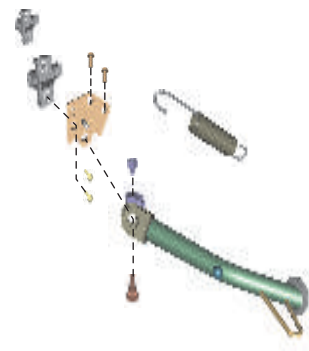
FRAME

24



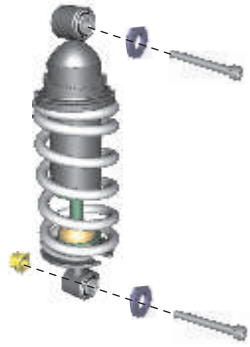
SIDE STAND

25



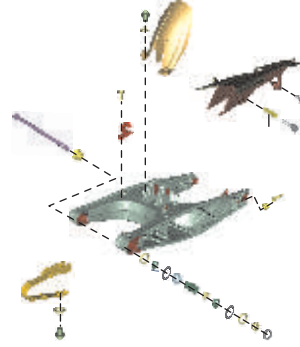
SHOCK ABSORBER

26



SWING ARM

27



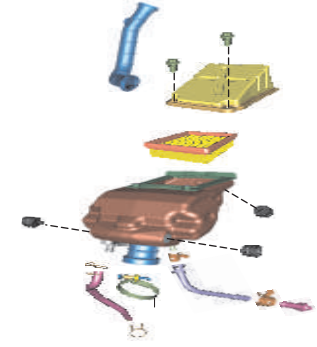
EXHAUST SYSTEM

28



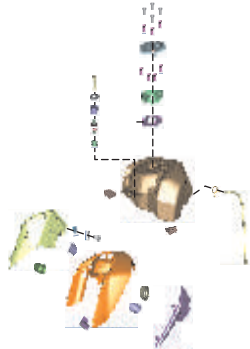
AIR FILTER

29



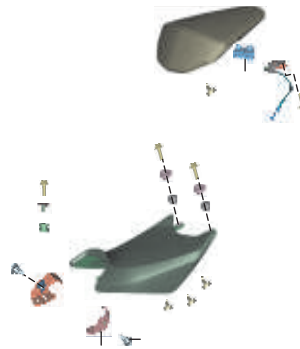
TANK, COVER

30



SEATS

31



FUEL PUMP

32



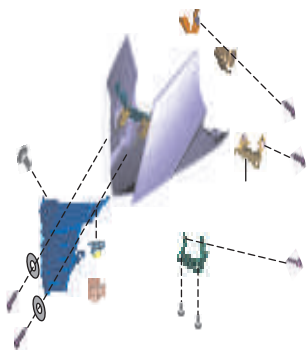
MASK, FENDER

33



BELLY PAN

34



DECAL

35



FRONT WHEEL

36



REAR WHEEL

37



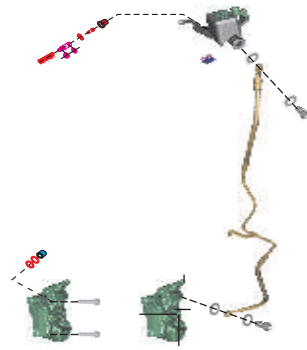
WIRING HARNESS

38



BRAKE SYSTEM - FRONT

39



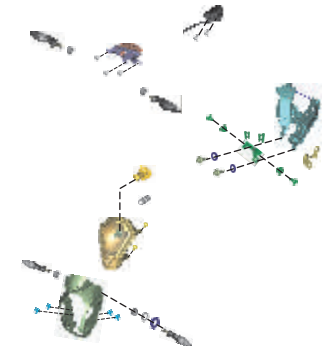
BRAKE SYSTEM - REAR

40



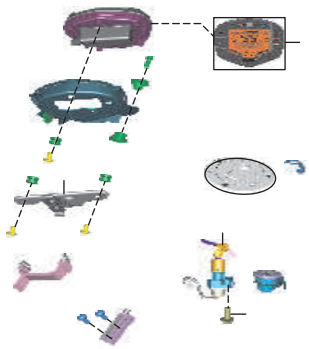
LIGHTING SYSTEM

41



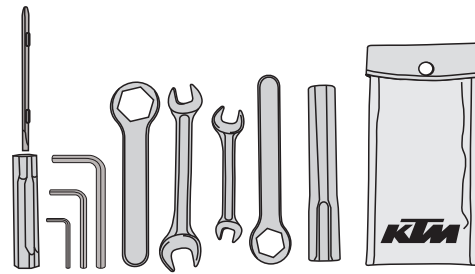
INSTRUMENT LOCK SYSTEM

42



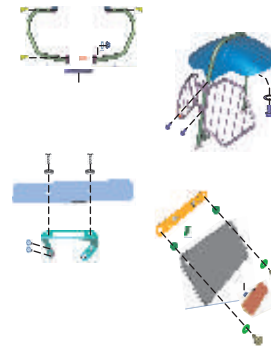
TOOL KIT

43



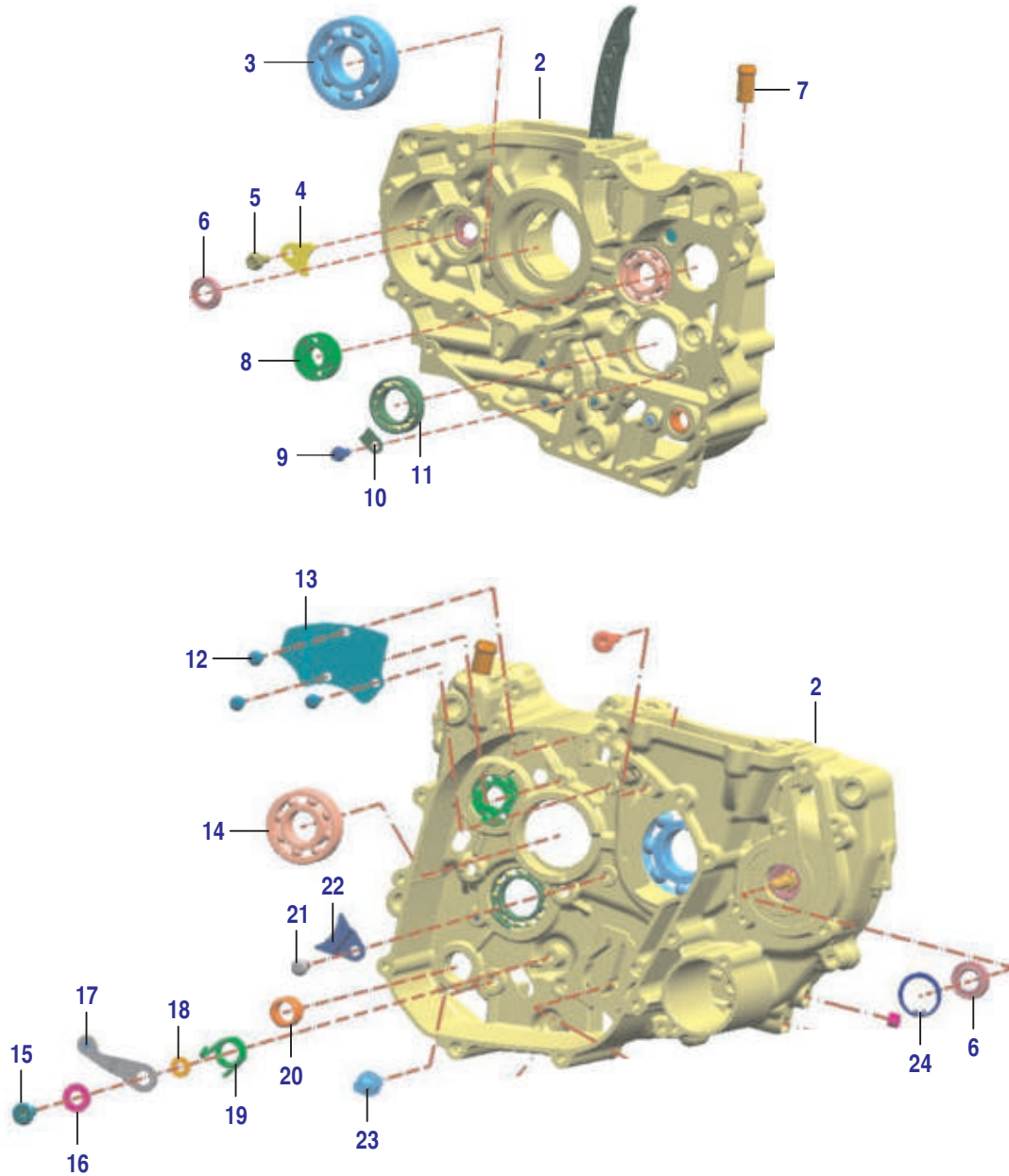
LEG GUARD, SAREE GUARD

44



# CRANKCASE RH

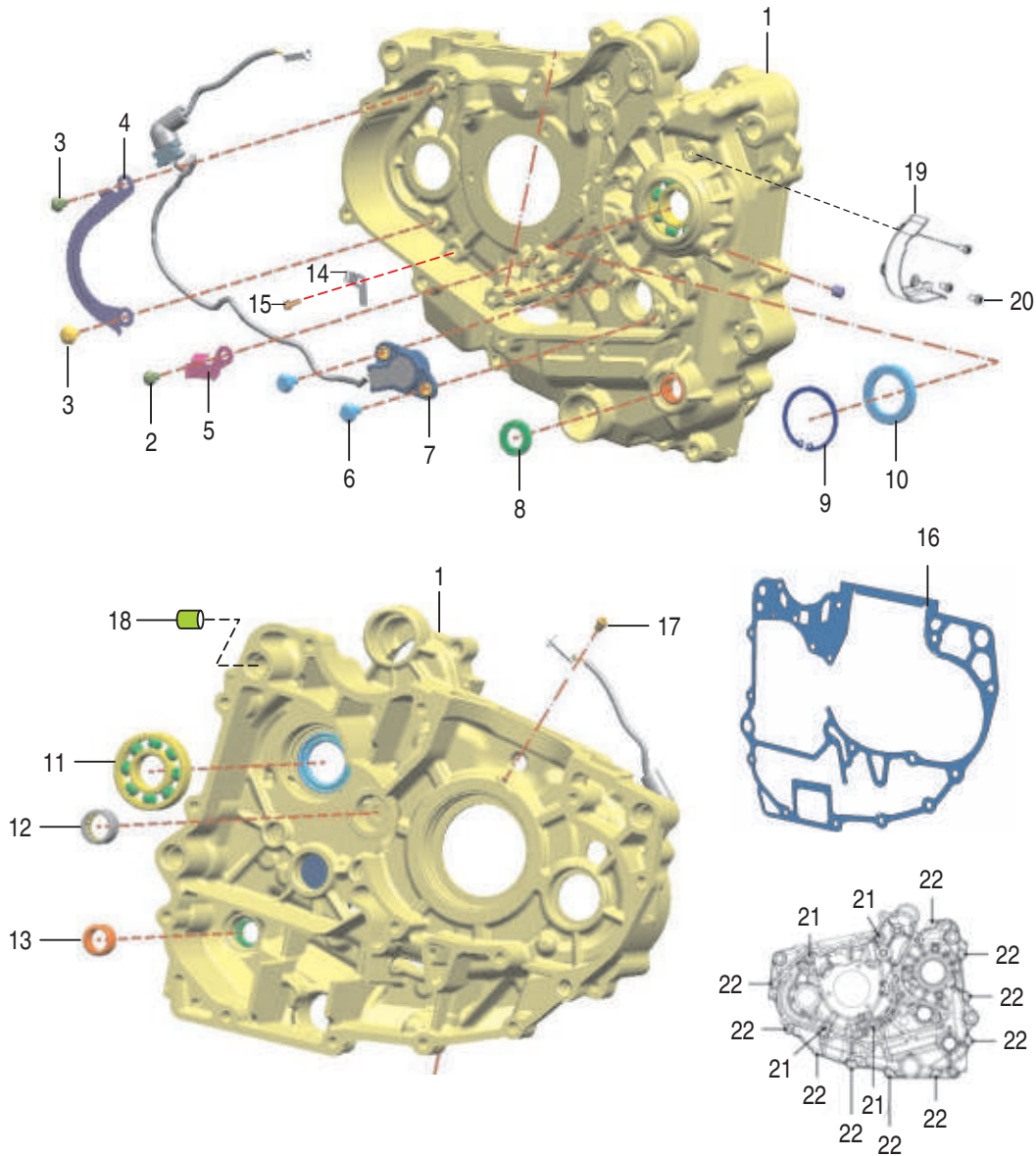
200 Duke



No.	Part No.	Description	Qty
1	JU 5010 02	Engine Assembly (N.I.)	1
2	36 JU00 21	Crankcase Assly RH Mod. (B. Shaft Bearing)	1
3	39 1931 20	Ball Bearing 28 X 68 X 18	1
4	JG 5410 46	Balancer Bearing Stopper	1
5	DJ 1013 00	Bolt Flanged M6x16	1
6	JG 6010 07	Special Shaft Seal Ring (oil)	2
7	JG 5410 61	Ventilation Connector (breather Pipe)	1
8	39 2602 20	Bearing - Ball 6202/HN3	1
9	DJ 1013 02	Pre-coated Flanged Bolt M6	1
10	JG 5410 59	Plate Stopper Bearing Drum	1
11	39 2601 20	Bearing - Ball : 61905 (25 X 42 X 9)	1
12	DJ 1013 14	Screw Pan head	3
13	JU 5410 05	Breather Plate	1
14	59 2000 36	Bearing Ball RH	1
15	JG 5612 04	Bolt Drum Stopper	1
16	JG 5612 05	Washer	1
17	JG 5610 09	Stopper Drum Complete	1
18	39 2005 11	Washer	1
19	JG 5612 26	Spring	1
20	39 2562 20	Bearing - Needle Roller : 13X19X12	1
21	KB BG06 12	Screw Pan Cross - M6	1
22	JG 5410 45	Input Shaft Bearing Stopper	1
23	DP 1011 91	Bolt Shifter	1
24	LE B000 01	Circlip Internal	1

# CRANKCASE LH

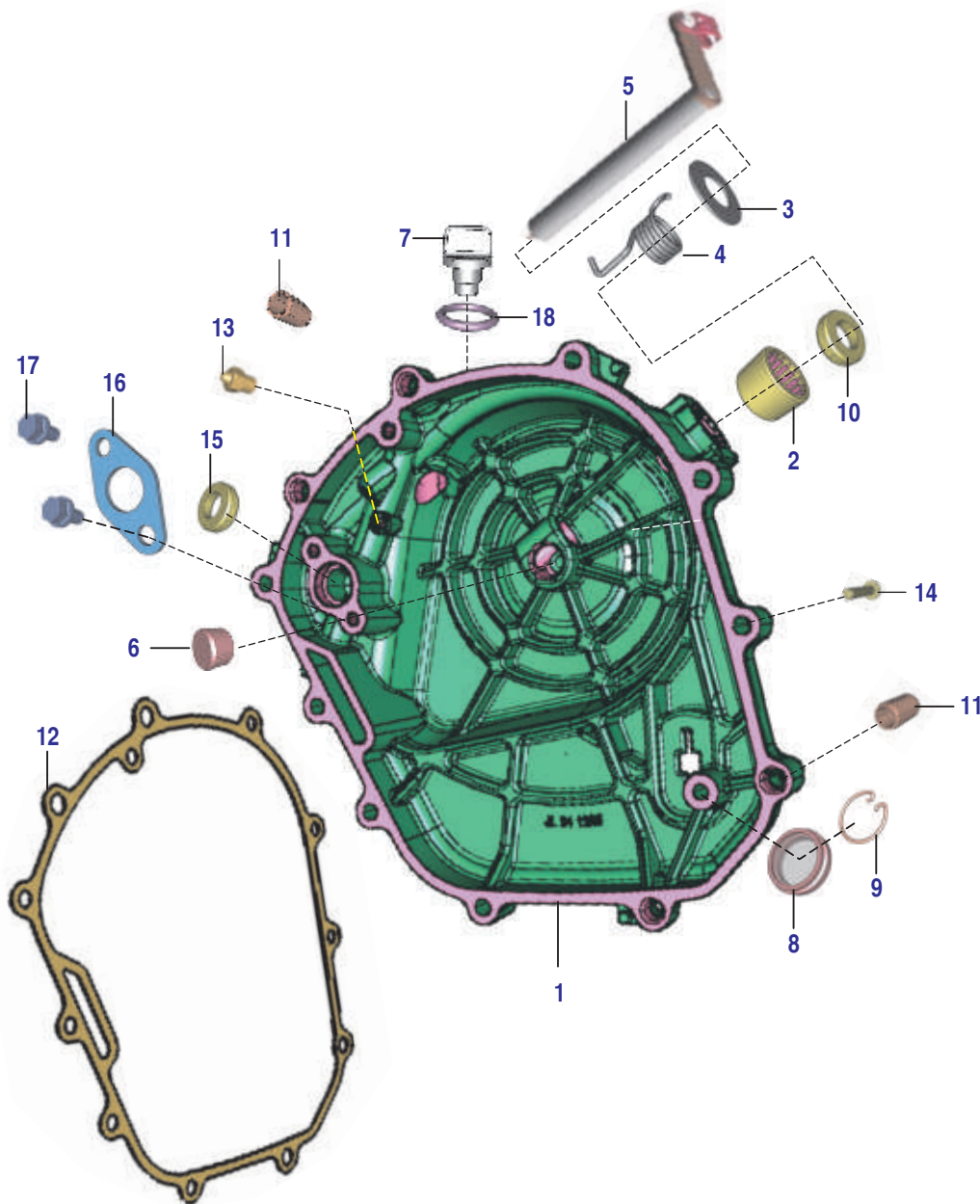
200 Duke



No.	Part No.	Description	Qty
1	36 JU00 20	Crankcase Assly LH Mod. (B. Shaft Bearing)	1
2	LA E000 14	Bolt Flanged	1
3	LA E000 14	Pre Coated pan Screw	2
4	JG 5410 63	Bracket Harness Upper	1
5	JG 5410 44	Bracket Harness Lower	1
6	39 1773 04	Bolt M-5 x 16	2
7	JG 3510 02	Neutral Indicator Switch & Pulsing Coil	1
8	39 1043 19	Seal Oil	1
9	KE BA37 15	Circlip Internal	1
10	DG 1014 56	Seal Oil	1
11	59 2000 06	Bearing Ball	1
12	JG 5410 15	Needle Bearing	1
13	39 2562 20	Needle Bearing	1
14	JG 5410 43	Retainer Gear Starter	1
15	DJ 1013 02	HH Collar Screw M6x16 WS8	1
16	JG 5410 41	Gasket Crankcase	1
17	JG 5410 20	Oil Jet	1
18	39 2181 06	Dowel D14	4
19	JG 5410 58	Chain Guard	1
20	KB BG06 12	Flat Head Screw M6X12 PH	3
21	LA D000 81	HH Collar Screw M6X60 SW10	4
22	KA DQ06 40	HH Collar Screw M6X40 SW10	10

# CLUTCH COVER

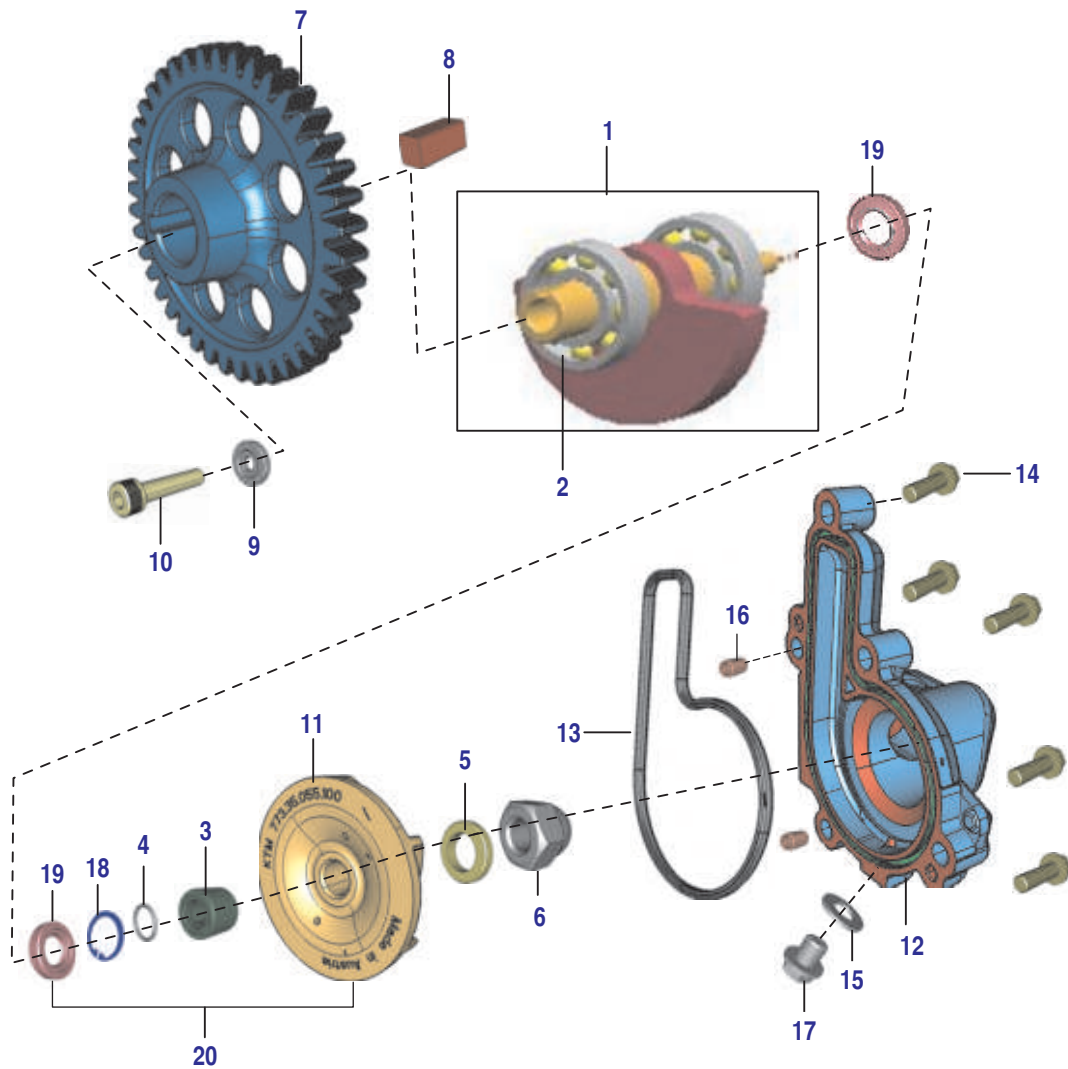
200 Duke



No.	Part No.	Description	Qty
1	36 JU00 12	Kit Asly Clutch Cover	1
2	39 1990 20	Bearing - Needle	1
3	LD B000 20	Washer 12.5X24X0.8T	1
4	JG 5510 17	Spring	1
5	JG 5510 15	Shaft Clutch Release Assy	1
6	JU 5514 01	Rod Push	1
7	JG 5412 30	Cap Oil Filling	1
8	DG 1014 18	Gauge	1
9	DS 1012 15	Clip - Wire	1
10	39 1041 19	Seal - Oil	1
11	39 0999 06	Pin - Hollow Dowel	2
12	JG 5412 21	Gasket Clutch Cover	1
13	JG 5410 21	Oil Jet	1
14	KA DQ06 30	Bolt Flanged	11
15	39 1046 19	Seal - Oil	1
16	JG 5412 31	Cover Plate Position	1
17	AA 1014 37	Bolt M6	2
18	39 1537 21	'O' ring	1

# BALANCER SHAFT

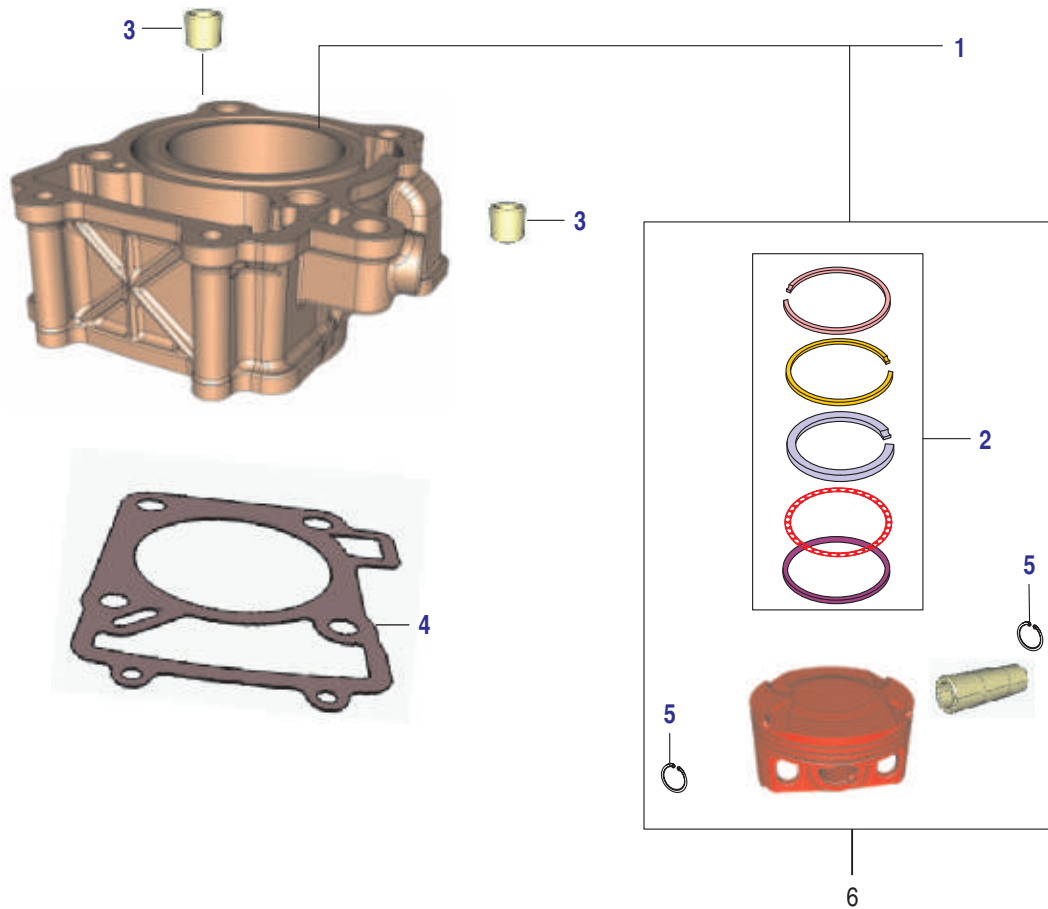
200 Duke



No.	Part No.	Description	Qty
1	JU 5312 04	Balancer Assy Old	1
	JU 5312 13	Balancer Assy Modified (Bigger Bearing)	1
2	JG 5312 20	Balancer Bearing (6202/HN3C3D8) Old	2
	59 2000 36	Balancer Bearing (6203/HN3C3D8) Modified	2
3	JG 5312 11	Sleeve Balancer Driven	1
4	JG 5312 12	O Ring Balancer Driven	1
5	JG 5312 15	Washer (2.5MM)	1
6	JG 6010 05	Dome Nut	1
7	JG 5312 07	Gear Balancer Driven (Grinding)	1
8	DS 1011 54	Key	1
9	DH 1010 48	Washer - Special :- Camshaft	1
10	DK 1013 86	Pre-coated Soc HD Cap Bolt M8X40	1
11	JG 6010 13	Water Pump Rotor	1
12	JG 6010 11	Cover Water Pump	1
13	JG 6010 12	O-Ring (Water Pump Cover)	1
14	KA DQ06 20	Bolt Hexagonal	5
15	39 1665 11	Copper Gasket	1
16	39 2606 07	Pin - Parallel	2
17	KA DQ06 06	HS Collar Screw	1
18	LE B000 01	Circlip	1
19	JG 6010 07	Shaft Oil Seal	2
20	36 JL00 39	Assly Water Pump Rotor + Oil Seal (11+19)	1

# CYLINDER PISTON

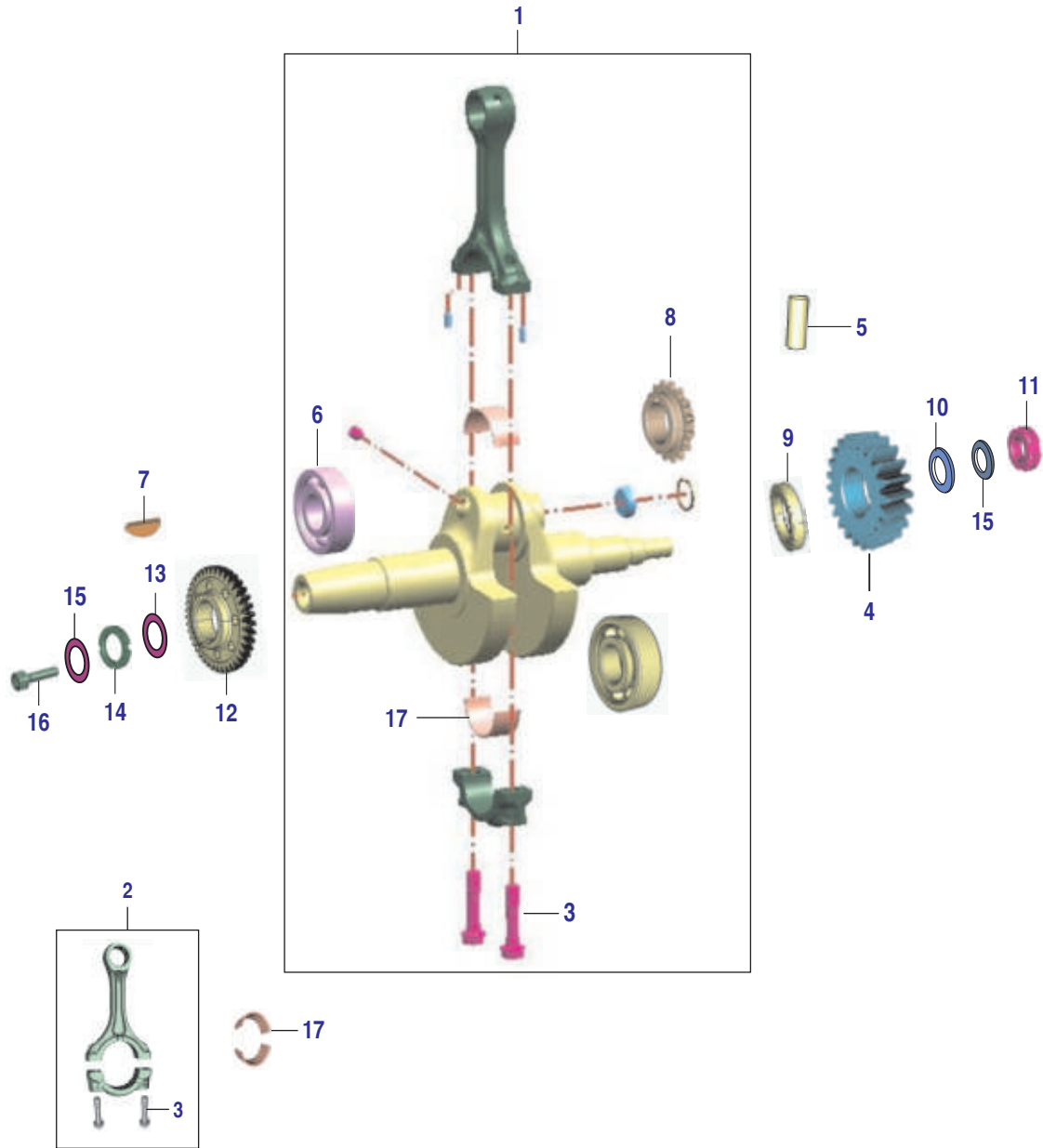
200 Duke



No.	Part No.	Description	Qty
1	36 JU00 07	Kit Asly Block Piston	1
2	36 JU00 01	Kit Piston Ring	1
3	39 2181 06	Pin - Hollow Dowel : 14 X 20	2
4	JG 5210 08	Gasket Cylinder Block	1
5	39 2132 17	Ring - Snap	2
6	JL 5212 00	Piston Complete	1

# CRANKSHAFT

200 Duke



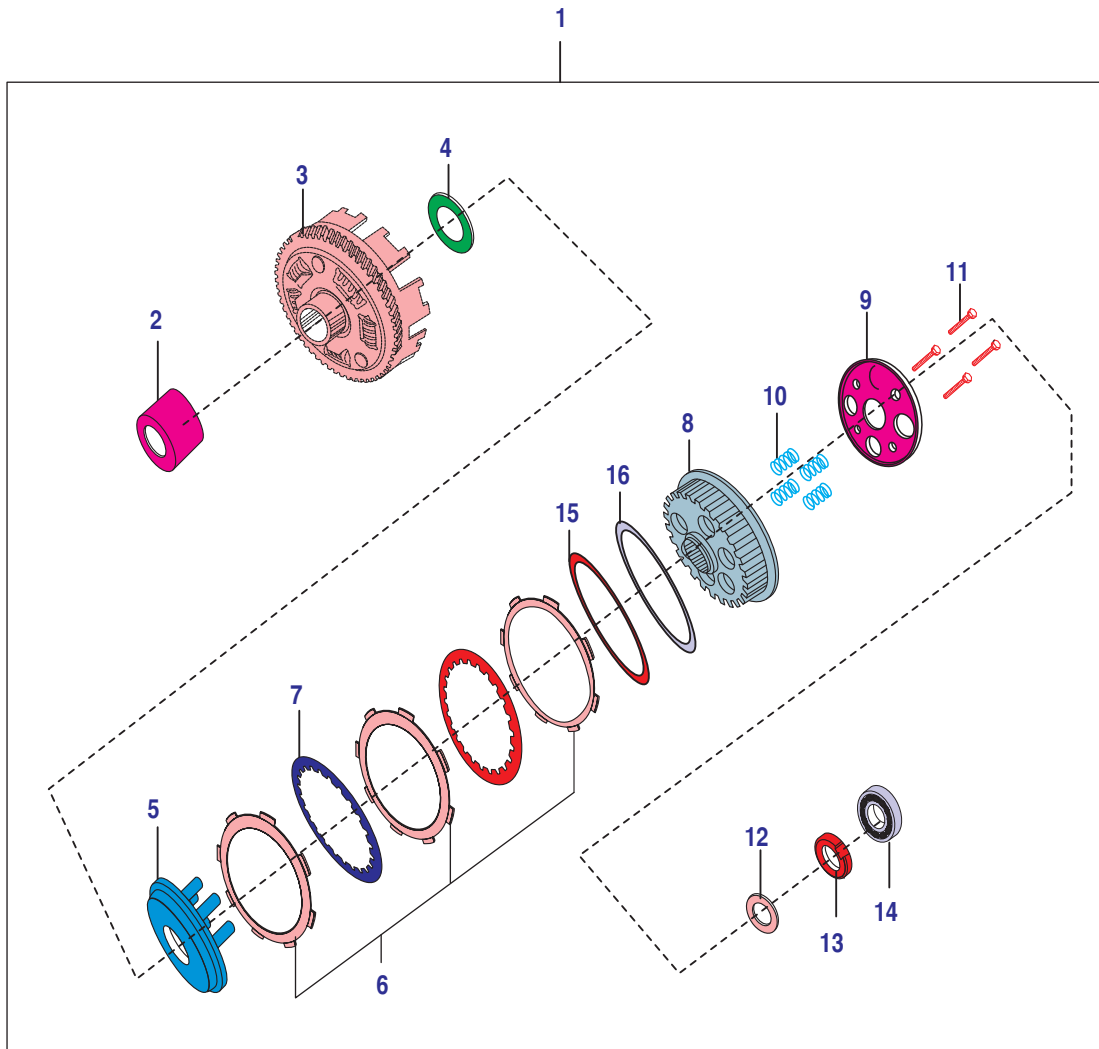
No.	Part No.	Description	Qty
1	JU 5310 27	Crankshaft Assembly Comp	1
2	JF 5310 07	Connecting Rod Assly.	1
3	JF 5310 14	Bolt (JF Con Rod)	2
4	JG 5512 16	Primary Gear 22 T	1
5	39 2203 07	Pin - Parallel	2
6	39 1931 20	Bearing - Ball : 28 X 68 X 18	1
7	31 1011 73	Key-Woodruff for Crankshaft Cl. Side	3
8	JG 5310 27	Sprocket Crankshaft	1
9	JG 5310 31	Spacer Crankshaft	1
10	39 2200 11	Washer - Plain (Primary Drive Gear)	1
11	LC D000 01	Nut Sprocket Drive Lock	1
12	JG 5310 41	Balancer Drive Gear	1
13	JG 5310 39	Beville Washer	1
14	JG 5310 40	Nut Balancer Drive Lock	1
15	39 2165 11	Washer - Plain	2
16	DH 1013 96	Flanged Bolt M10X1, 25X30	1
17	36 JU00 04	Split Bearing Bush Green	2
	36 JU00 05	Split Bearing Bush None	2
	36 JU00 06	Split Bearing Bush Blue	2

Crankshaft Marking	Connecting Road Bush Marking	
	1	2
A.	Green 36 JU00 04	None 36 JU00 05
B.	None 36 JU00 05	Blue 36 JU00 06

# CLUTCH

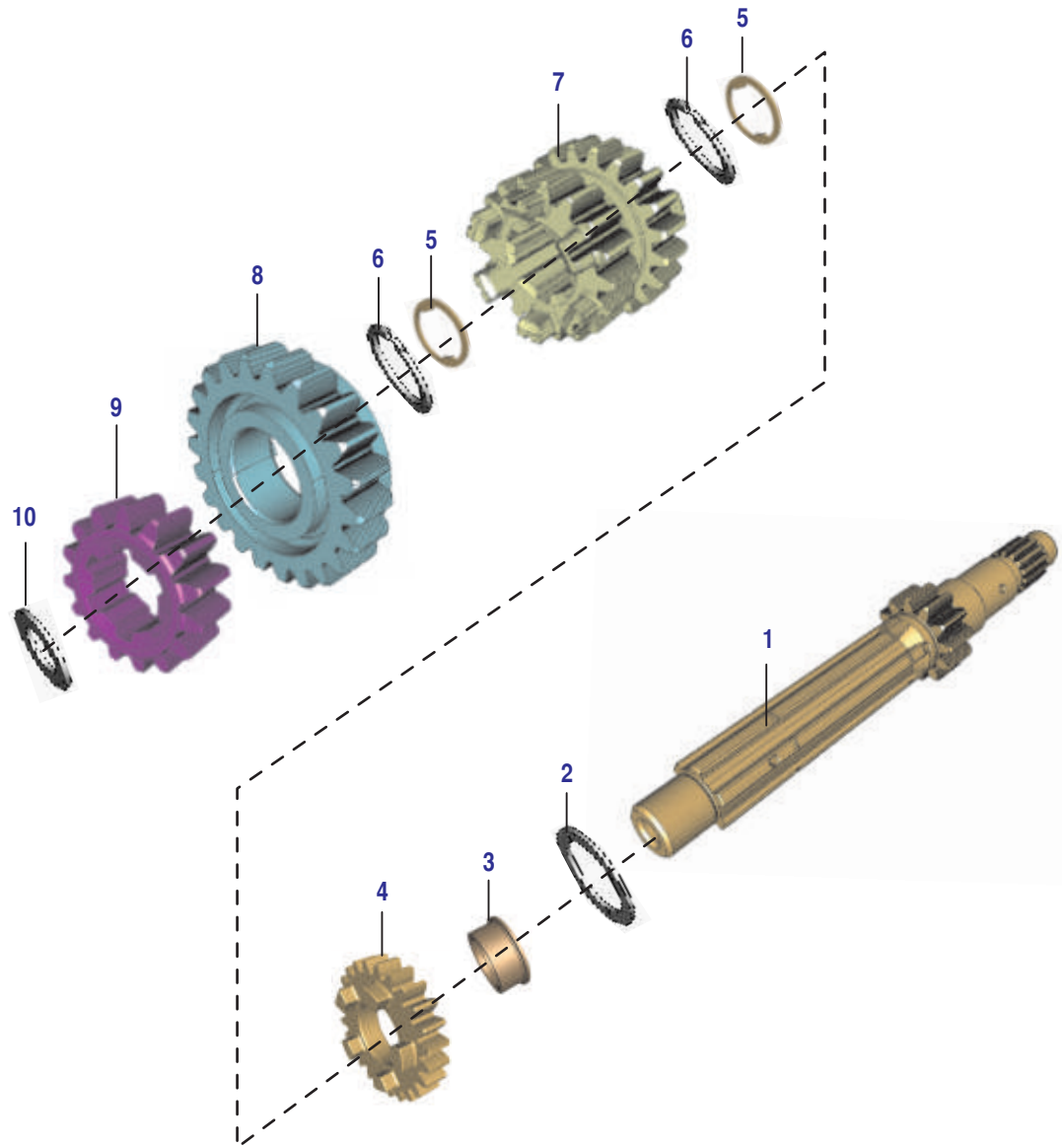
200 Duke



No.	Part No.	Description	Qty
1	JU 5514 04	Clutch Assy Comp	1
2	JG 5514 27	Collared Bush	1
3	JU 5514 05	Outer Clutch Hub	1
4	JG 5514 28	Washer Clutch	1
5	JG 5514 49	Plate (Wheel Clutch)	1
6	36 JU00 02	Kit Friction Plate	1
7	JG 5514 47	Pressure Plate	6
8	JU 5514 06	Clutch Holder (Hub Clutch)	1
9	JG 5514 43	Clutch Center (Holder Clutch)	1
10	JU 5514 02	Spring -Clutch	4
11	JG 5514 51	Bolt SH 6x22	4
12	JL 5514 07	Spring Belleville	1
13	DH 1016 48	Nut Clutch Center Lock (Pre-coated)	1
14	JG 5514 23	Clutch Lifter Bearing	1
15	DP 1012 43	Plate Judder Spring	1
16	DP 1011 14	Spring Anti Judder	1

# TRANSMISSION I - MAIN SHAFT (INPUT SHAFT)

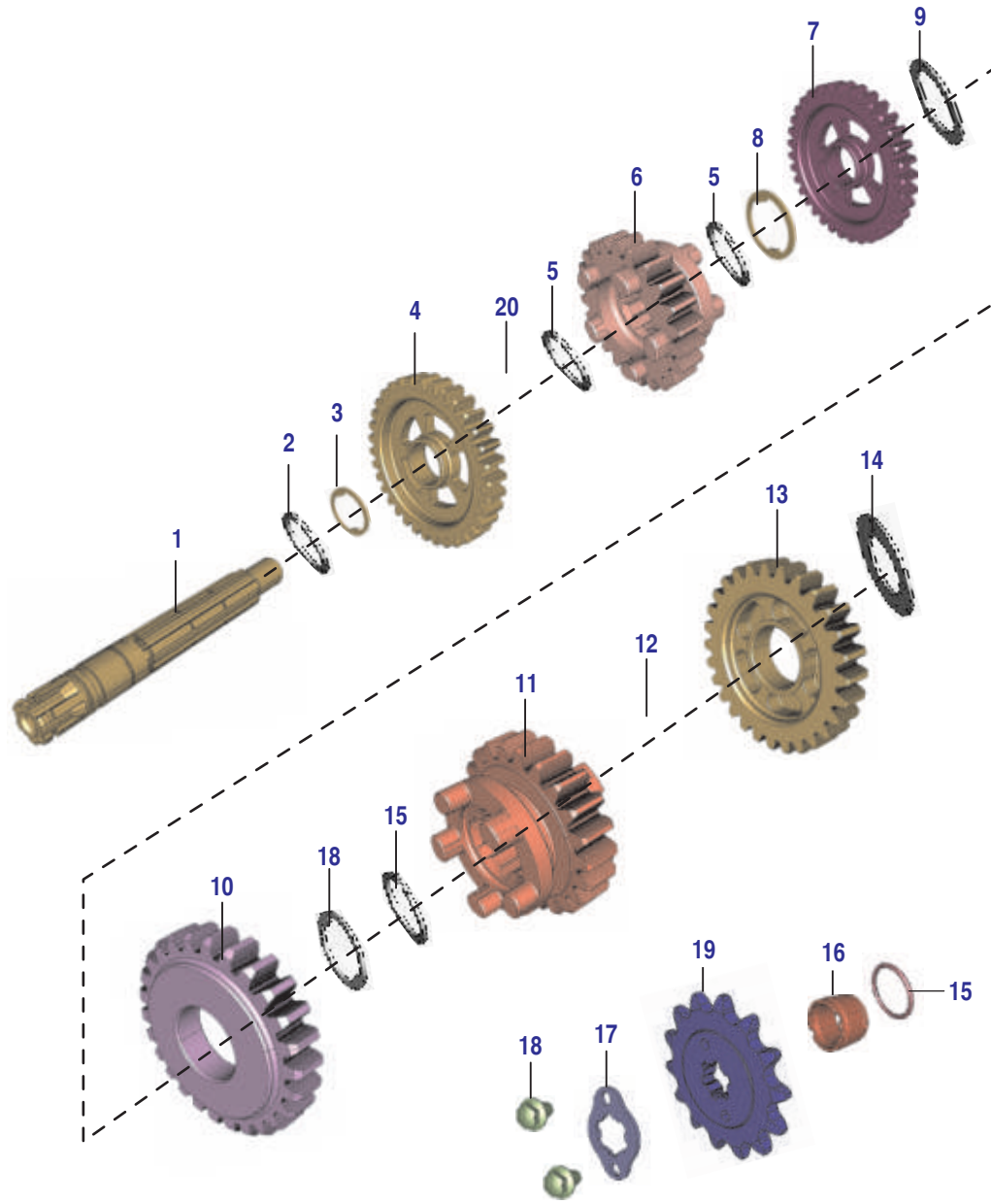
200 Duke



No.	Part No.	Description	Qty
1	JG 5510 27	Shaft Input T/M Comp	1
2	39 2158 11	Washer - Plain	1
3	JG 5510 13	Bush 6th Drive / Bush 2nd Driven	1
4	JG 5512 13	Gear 6th Drive	1
5	JG 5510 20	Washer Shim	2
6	BF 5510 37	Ring - Snap	2
7	JG 5512 14	Gear Drive Multiple 3&4	1
8	JG 5512 20	Gear 5th Drive	1
9	JG 5512 27	Gear 2nd Drive	1
10	JG 5510 22	Washer - Plain	1

# TRANSMISSION II - COUNTER SHAFT (OUTPUT SHAFT)

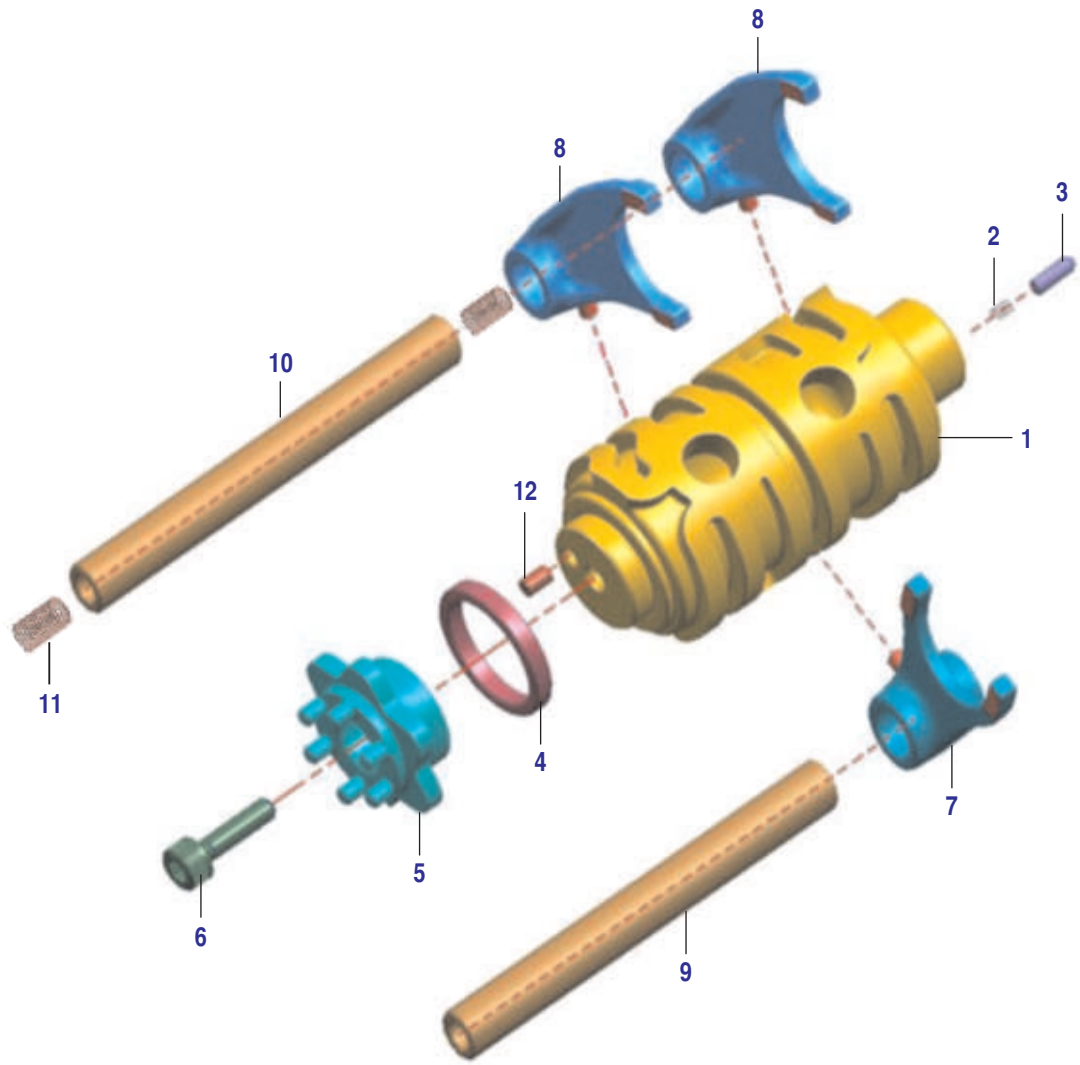
200 Duke



No.	Part No.	Description	Qty
1	JG 5510 25	Output Shaft Assy With Plug	1
2	DH 1012 35	Circlip	1
3	39 2166 11	Washer Special	1
4	JG 5512 28	Gear 2nd Driven	1
5	BF 5510 37	Ring - Snap	3
6	JG 5512 22	Gear 5th Driven	1
7	JG 5512 23	Gear 3rd Driven	1
8	JG 5510 20	Spline Thrust Washer	2
9	JG 5510 21	Lock Washer Splined Thrust	1
10	JG 5512 15	Gear 4th Driven	1
11	JG 5512 24	Gear 6th Driven	1
12	JG 5510 00	Bush 1st Driven	1
13	JG 5512 25	Gear 1st Driven	1
14	39 2159 11	Washer - Plain	1
15	DK 1013 52	O-Ring Sprocket Collar(17.5x1.5)	1
16	JG 5510 10	Collar Sprocket	1
17	JG 5510 19	Plate Drive Sprocket	1
18	LA E000 17	Bolt Flanged M6X1X10L-Precoated	2
19	DV 1010 48	Sprocket Output (14T)	1
20	JG 5510 13	Bushing	1

# SHIFTING MECHANISM

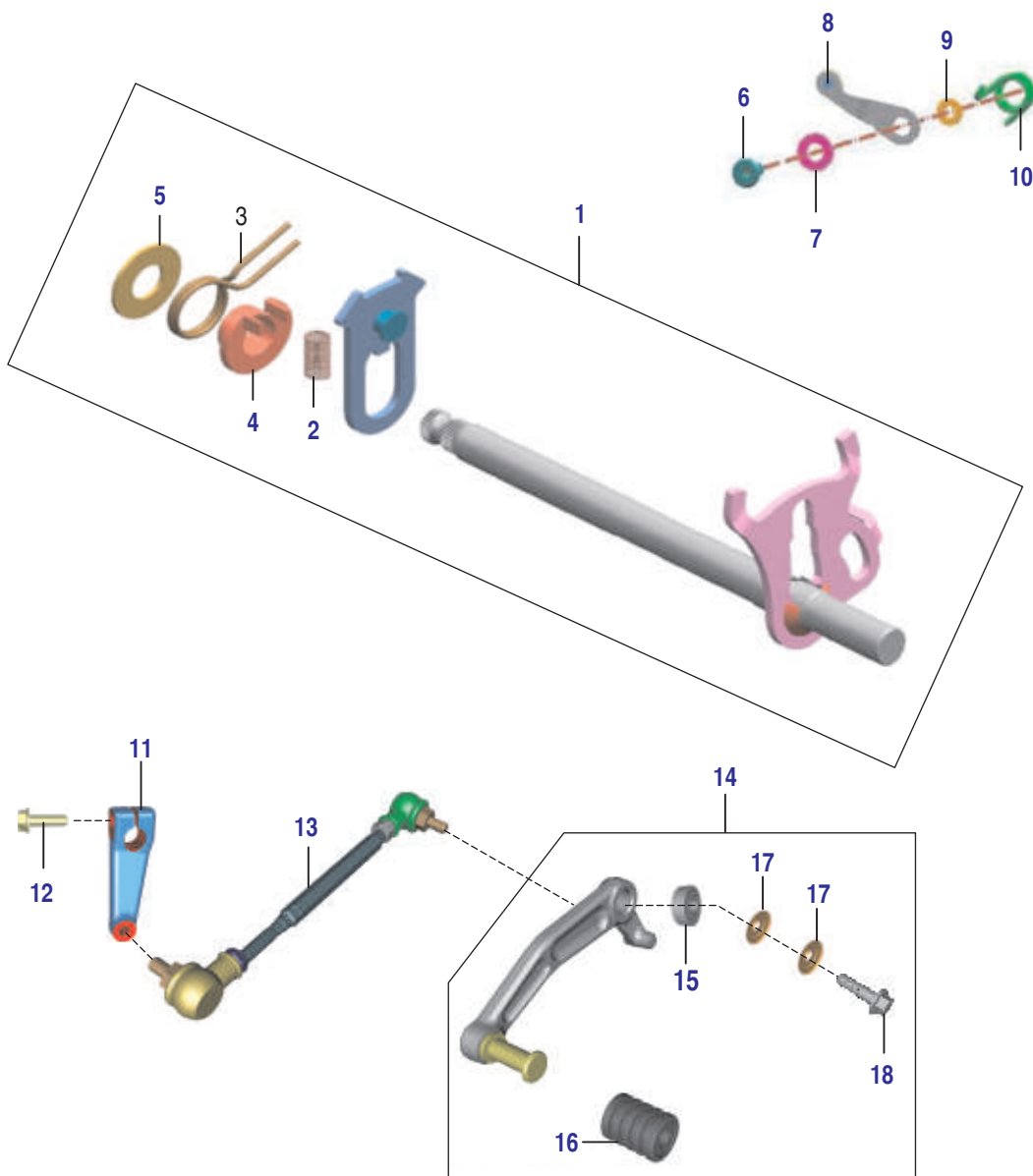
200 Duke



No.	Part No.	Description	Qty
1	JG 5610 11	Drum Complete Gear Shift	1
2	EC 5610 23	Spring Gear Switch Indicator	1
3	39 2606 07	Pin - Parallel	1
4	JG 5610 10	Spacer-Guide Gear Shift	1
5	JG 5612 22	Guide Gear Shift	1
6	DH 1013 89	Bolt Socket Head M6X1X20L	1
7	JG 5610 12	Fork Gear Shift Input	1
8	JG 5610 13	Fork Gear Shift Output	2
9	JG 5610 16	Shaft Gear Shift Fork	2
10	JG 5612 25	Shaft Gear Shift Fork Output	1
11	JG 5612 15	Spring for Shaft Gear Shift	2
12	JG 5610 08	Pin Drum	1

# SHIFTING MECHANISM

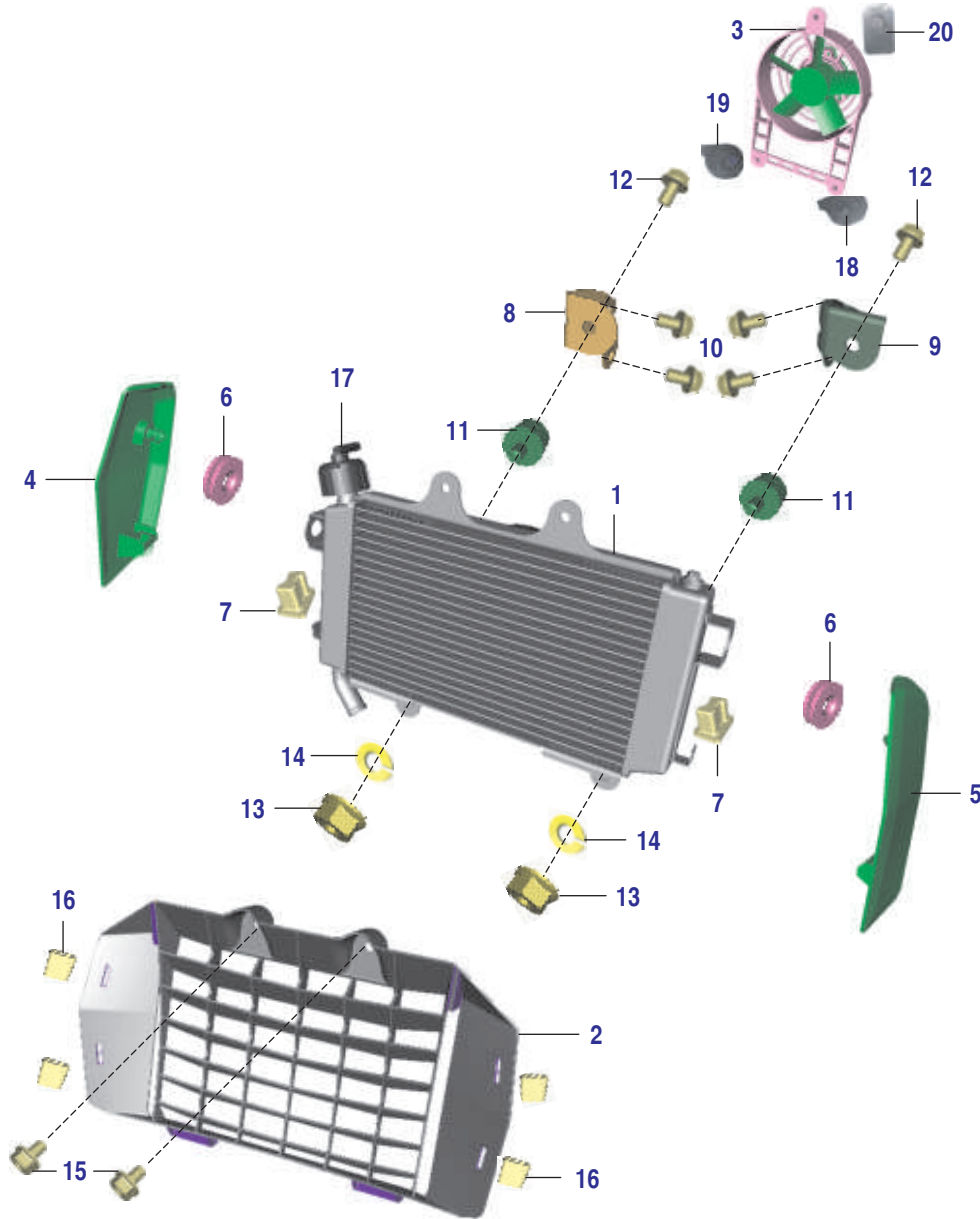
200 Duke



No.	Part No.	Description	Qty
1	JG 5612 00	Lever Gear Shift Assy Comp.	1
2	JG 5612 15	Compression Spring	1
3	JG 5612 18	Torsion Spring (Final Config)	1
4	JG 5612 17	Bush-Torsion Spring	1
5	JG 5612 16	Stopper Disc (Washer Steel)	1
6	JG 5612 04	Bolt Drum Stopper	1
7	JG 5612 05	Washer	1
8	JG 5610 09	Stopper Drum Complete	1
9	39 2005 11	Washer	1
10	JG 5612 26	Spring	1
11	JU 5614 00	Relay Shift Lever	1
12	KA DM06 22	HH Collar Screw M6X22	1
13	JU 5614 01	Tension Rod Complete	1
14	36 JU00 32	Change Lever Assly. Alt. 36 JU00 38	1
15	JG 1130 61	Bearing	2
16	JG 1130 10	Rubber	1
17	JG 1130 62	Washer	2
18	JG 1130 63	Bolt Brake Lever Alt. JG 1130 68	1

# RADIATOR ASSEMBLY

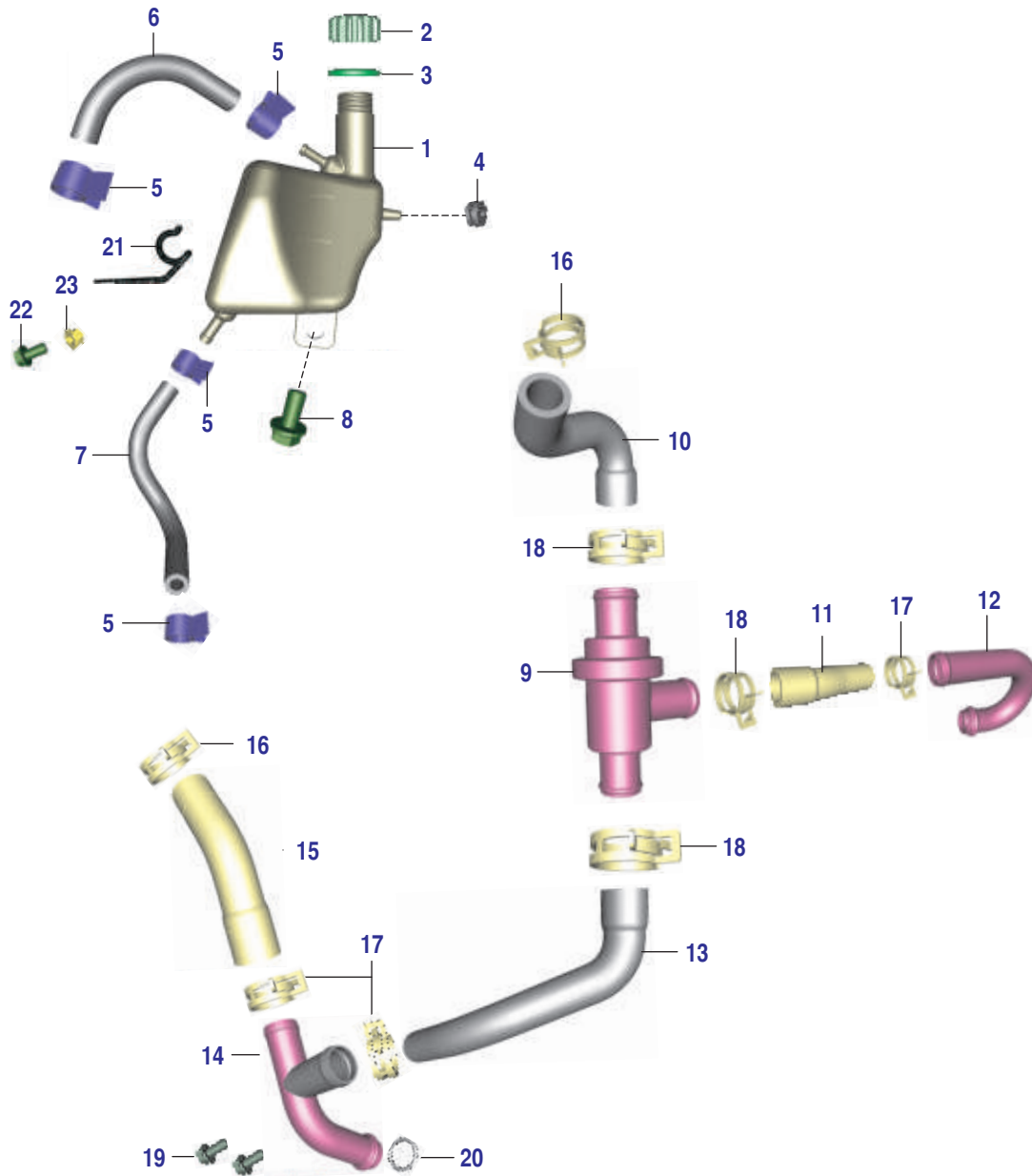
200 Duke



No.	Part No.	Description	Qty
1	JG 6012 36	Radiator Cpl. (Without Fan)	1
2	JU 6012 00	Radiator Cowl	1
3	JG 6014 00	Ventilator Cpl. (Radiator Fan)	1
4	JU 1812 01	Radiator Protector R/S	1
5	JU 1812 00	Radiator Protector L/S	1
6	DS 1610 82	Damping Rubber I Radiator Prot	2
7	JC 1410 17	Damp. Rubber II Radiator Prot	2
8	JG 1138 05	Radiator Support R/S Below	1
9	JG 1138 04	Radiator Support L/S Below	1
10	KA DM06 10	HH Collar Screw M6x10 Sw8	4
11	JG 5810 14	Rubber Grommet	4
12	LA E000 11	Hh Collar Screw M6X8 SW10	4
13	LC L000 02	Flanged Nut M6 WS10 Self Lock.	4
14	KD CF06 12	Washer Spring B6	4
15	KA DM06 10	Bolt Radiator Cowl	2
16	JU 1138 01	Damper Radiator Cowl	4
17	JG 6012 29	Radiator Cap	1
	JG 6012 35	Radiator Cap (Modified)	1
18	JY 6012 38	Bracket Fan assembly A LH	1
19	JY 6012 39	Bracket Fan assembly B RH	1
20	JY 6012 40	Bracket Fan assembly C Bottom	1

# COOLING SYSTEM

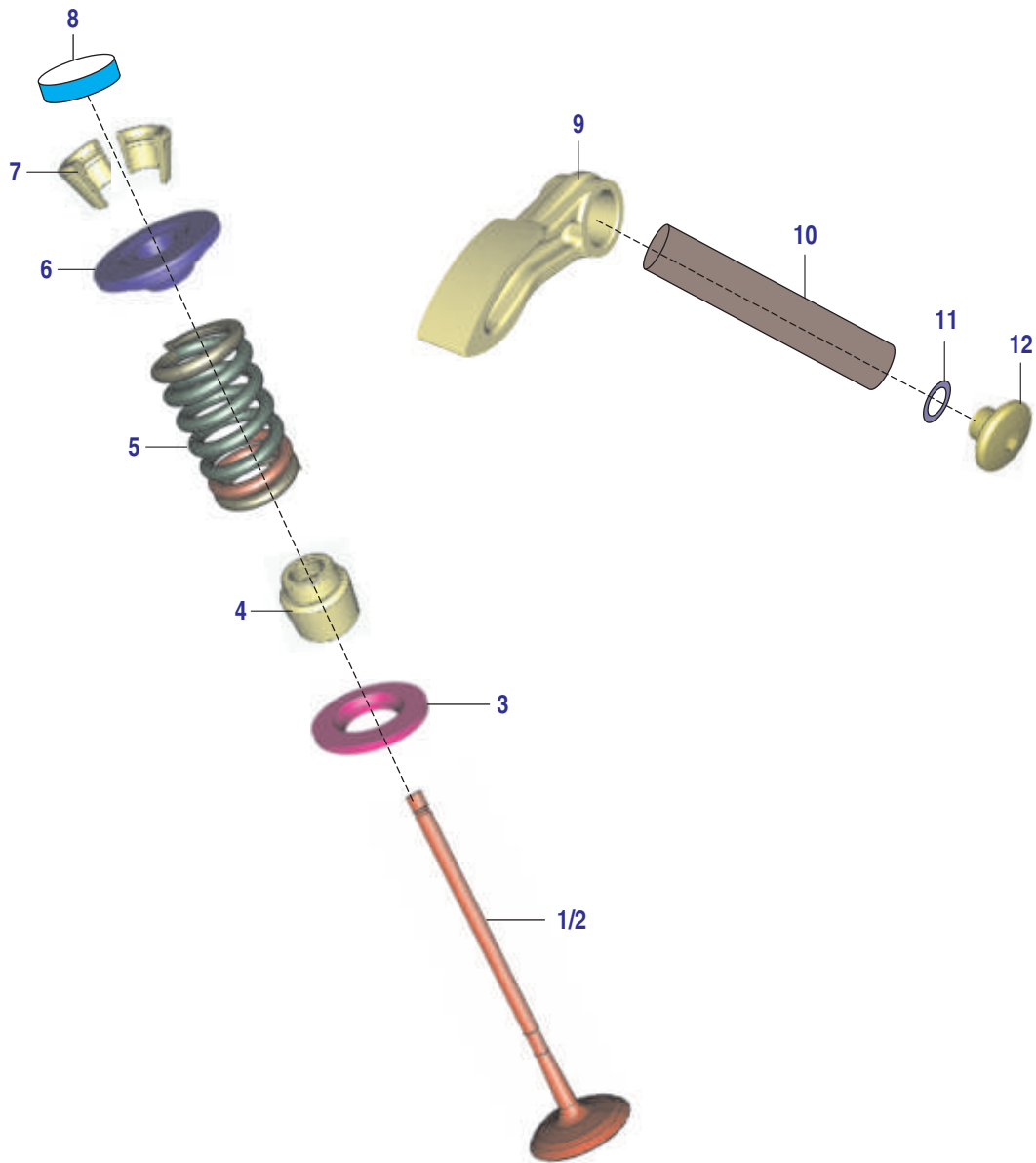
200 Duke



No.	Part No.	Description	Qty
1	JG 6012 08	Tank Reservoir	1
2	JG 6012 11	Plug F. Expansion Tank (Reservoir Cap)	1
3	JG 6012 30	"O" Ring Tank Cap	1
4	JG 1138 06	Grommet Expansion Tank	1
5	JG 1710 29	Clamp 10mm	4
6	JG 6012 13	Hose 6X10,5X80 mm	1
7	JG 6012 15	Hose 6X10X154 mm	1
8	JG 1812 50	Special Screw M6x12 Flanged	1
9	JG 6010 14	Thermostat	1
10	JG 6012 20	Radiator Hose Therm. Radiator	1
11	JG 6012 23	Radiator Hose Engine-therm.	1
12	JG 6012 22	Cooling Pipe Engine	1
13	JG 6010 18	Radiator Hose Therm. - Cool. Pipe	1
14	JG 6010 19	Cooling Pipe "T" Cpl.	1
15	JG 6012 18	Radiator Hose Radi. - Cool L. "T"	1
16	JG 6012 09	Hose Clamp D24	2
17	JG 6010 16	Hose Clamp D26	3
18	JG 6012 10	Hose Clamp D28	3
19	LA D000 82	HH Collar Screw M6x12 Sw10	4
20	JG 6012 21	O-ring 18,5x3	2
21	JG 1138 39	Bracket Tube Drain	1
22	KA AD06 12	Bolt Bracket Tube Drain	1
23	39 0589 15	Nut Bracket Tube Drain	1

# VALVE DRIVE

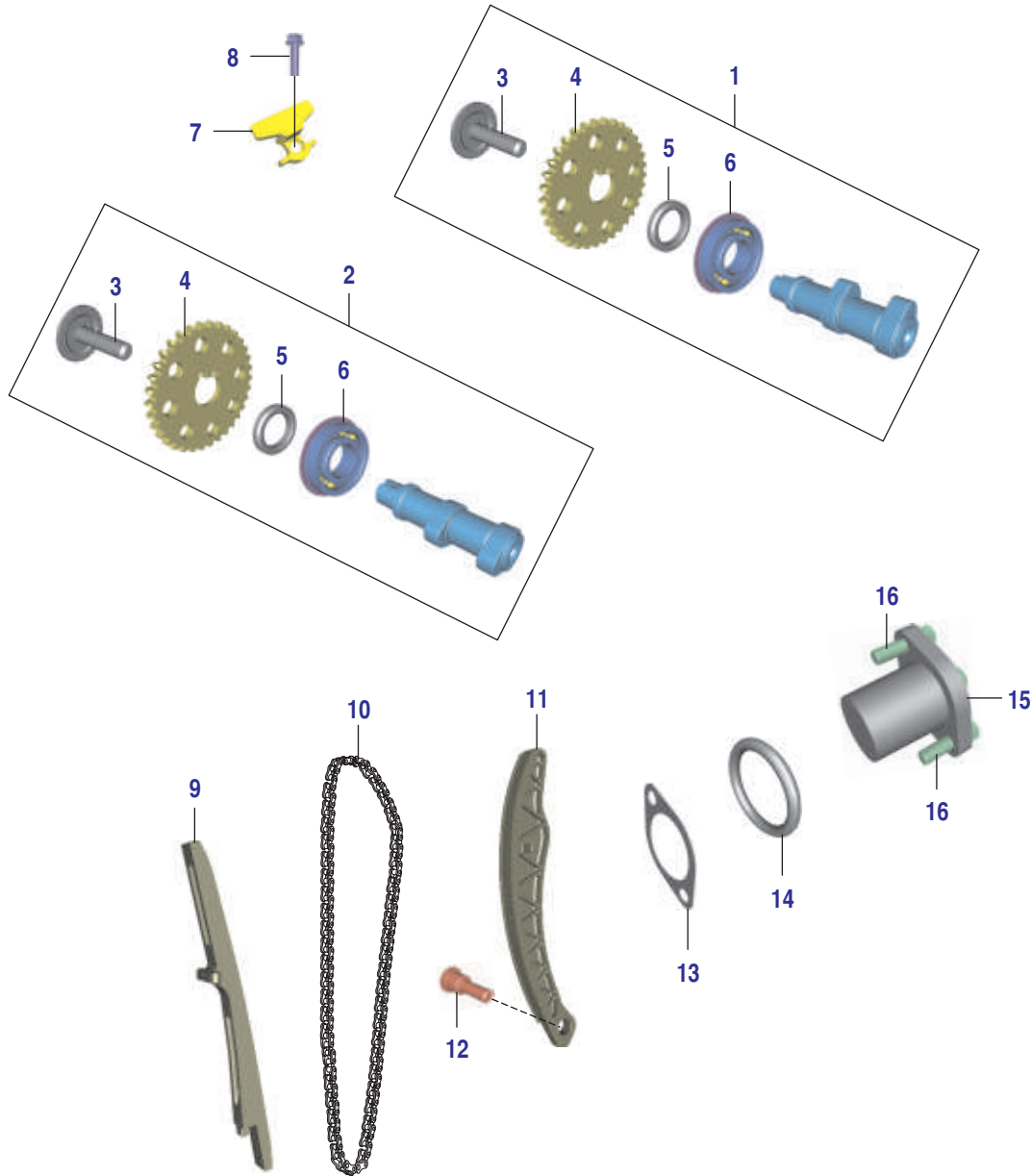
200 Duke



No.	Part No.	Description	Qty
1	JU 5112 06	Exhaust Valve	2
2	JU 5112 05	Intake Valve	2
3	JG 5110 42	Valve Spring Holder	4
4	39 2017 19	Valve-stem Sealing (oil Seal)	4
5	JG 5112 55	Valve Spring	4
6	JG 5112 59	Valve Spring Retainer	4
7	DG 1010 29	Valve Collet	8
8	36 JG00 36	Kit Shim KTM 200	4
9	JU 5112 04	Valve Lever	4
10	JG 5112 43	Valve Lever Shaft	2
11	39 1021 21	O-ring 10,3x1,2 mm	2
12	JG 5110 16	Screw Plug	2

# TIMING DRIVE

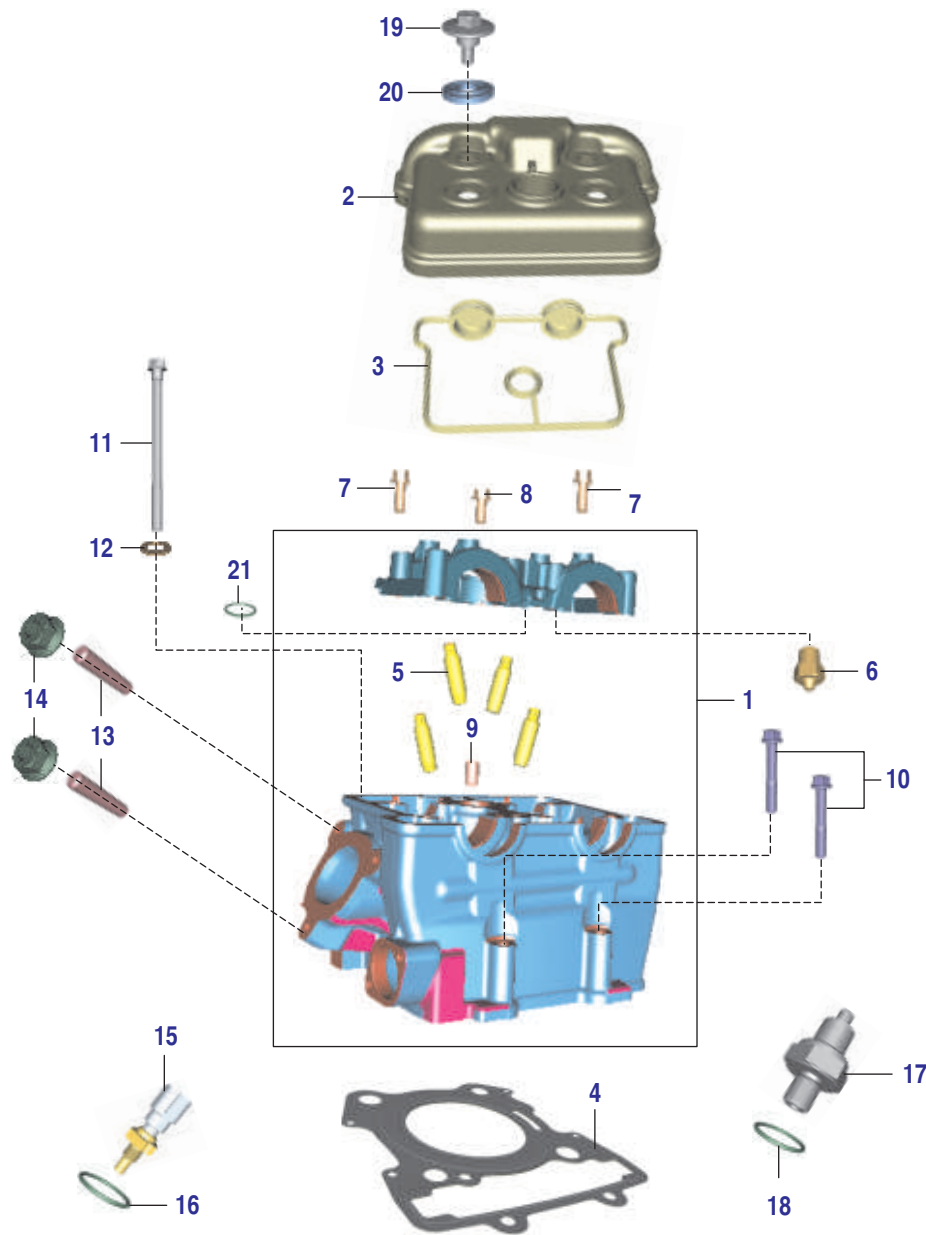
200 Duke



No.	Part No.	Description	Qty
1	JU 5112 08	Camshaft Intake Cpl. Alt. JU 5112 17	1
2	JU 5112 10	Camshaft Exhaust Cpl. Alt. JU 5112 18	1
3	JG 5112 69	Special Screw Camshaft	2
4	JG 5112 46	Gear Wheel Camshaft Alt. JU 5112 76	2
5	JG 5112 62	Spacer	2
6	JG 5112 61	Ball Bearing 6003nr/c3d8 17x35x10	2
7	JG 5112 50	Guide Rail Top	1
8	LA E000 16	HH - Collar Screw M6x14 WS8	1
9	JG 5410 48	Timing Chain Guide	1
10	JG 5112 47	Timing Chain	1
11	JG 5410 47	Tensioner Rail (chain Guide)	1
12	DH 1013 92	Special Screw 6x14,9	1
13	CS 1011 28	Gasket Chain Adjuster	1
14	39 2669 21	O-ring 10,15x1,5	1
15	JG 5112 11	Chain Adjuster	1
16	KA DQ06 20	HH Collar Screw M6 X20 Sw10	2

# CYLINDER HEAD

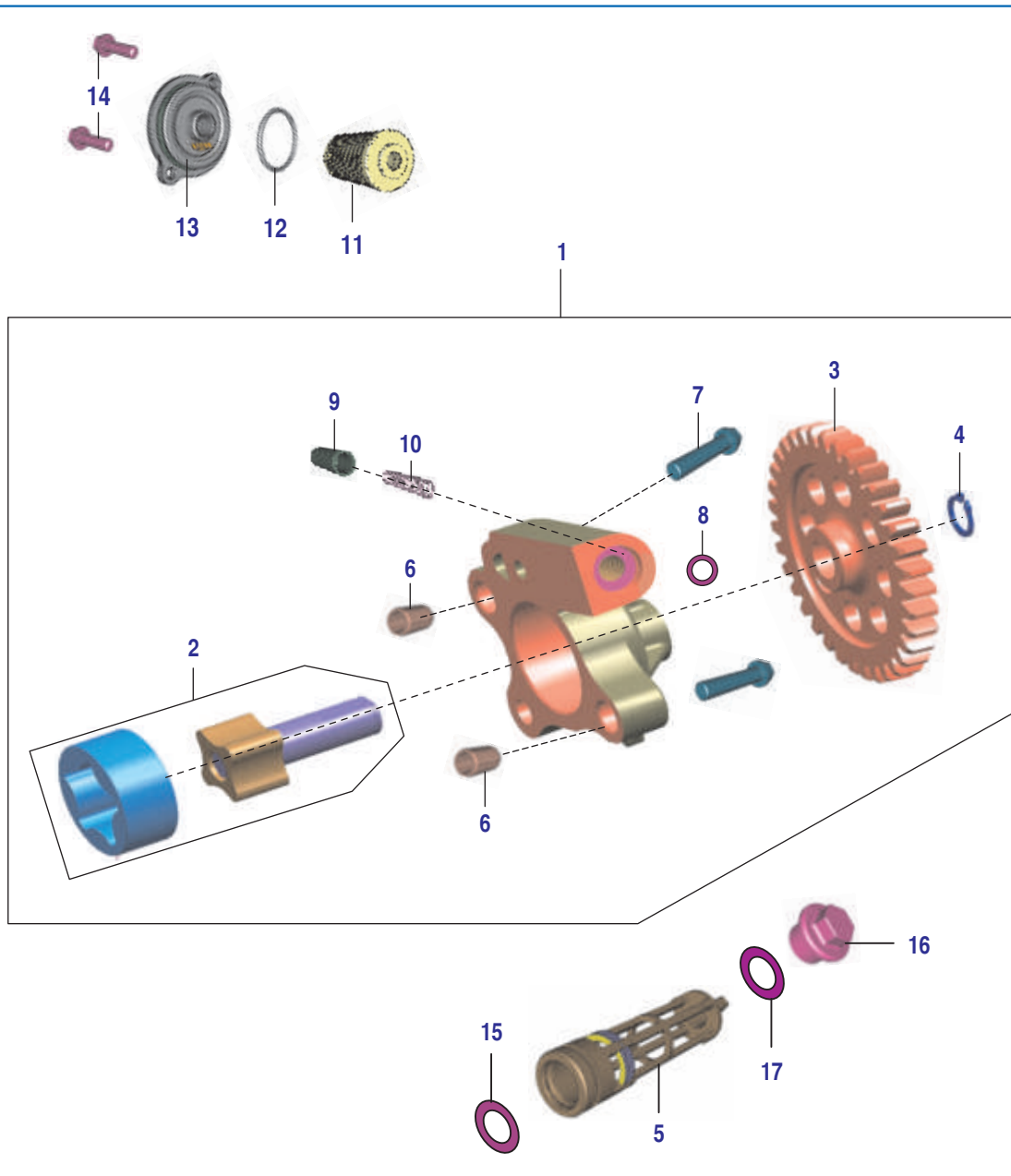
200 Duke



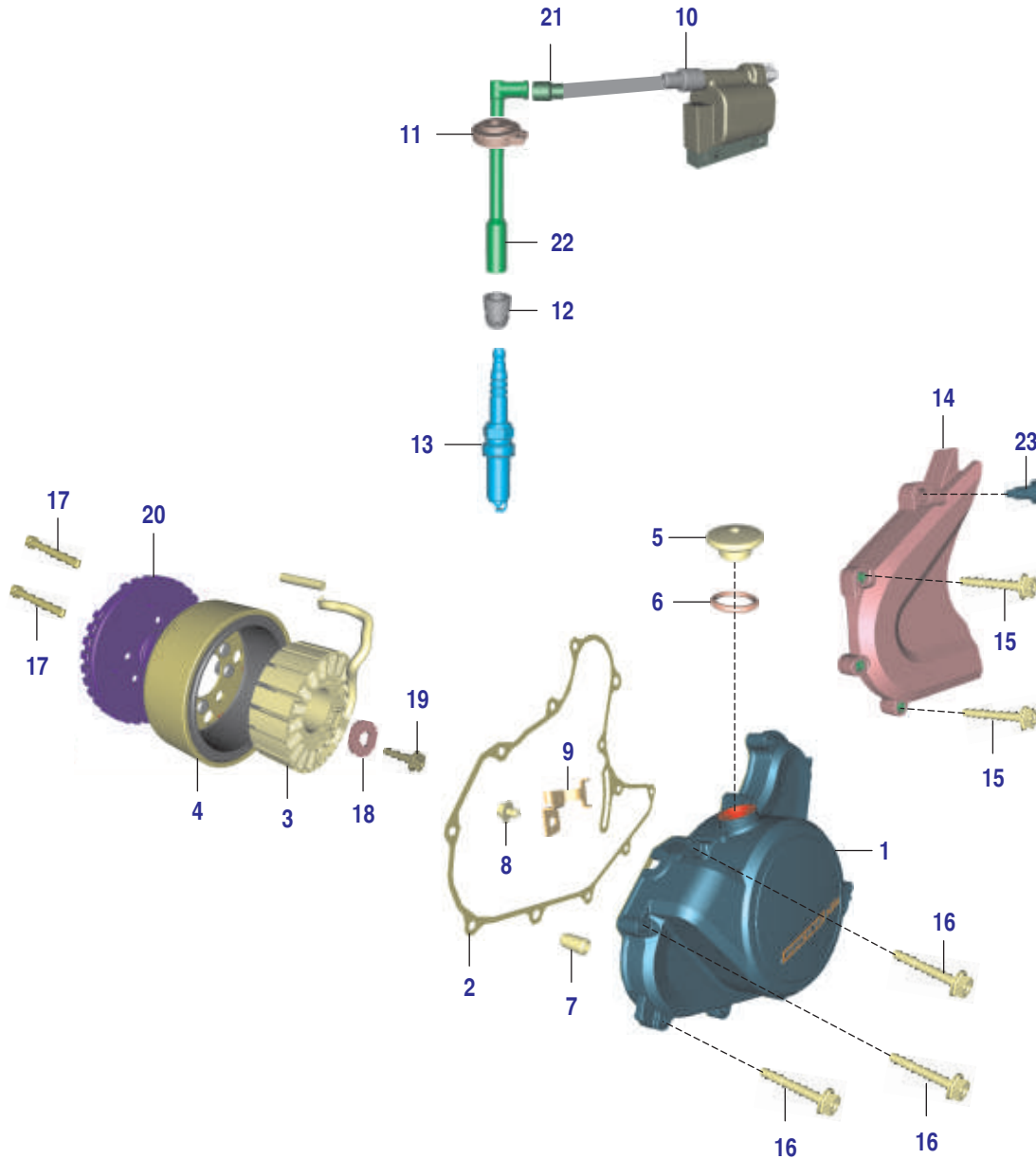
No.	Part No.	Description	Qty
1	JU 5110 14	Cylinder Head Cpl.	1
2	JG 5110 30	Valve Cover	1
3	JG 5110 29	Valve Cover Gasket	1
4	JU 5110 13	Cylinder Head Gasket	1
5	JG 5112 53	Valve Guide	4
6	JG 5410 21	Oil Jet	4
7	JG 5010 08	HH-collar Screw M6X40 WS10	2
8	39 1075 04	HH-collar Screw M6X35 WS8	6
9	39 0999 06	Pin Dowel 8x6,4x14mm	2
10	39 1065 04	Collar Screw M6	2
11	JG 5410 68	Hh Collar Screw 10x147,5	4
12	LD A000 08	Washer 11,2x20x2	4
13	JG 5110 46	Stud M8	3
14	LC G000 06	Flanged Nut M8 H7,5 Ws12	3
15	JG 3514 00	Temperature Sensor	1
16	39 2699 20	O-ring	1
17	DK 1012 25	Oil Pressure Sensor	1
18	DK 1013 40	O-ring	1
19	JG 5110 22	Valve Cover Screw	4
20	JG 5110 21	Decoupling Element	4
21	39 1017 21	'O' Ring	1

# LUBRICATING SYSTEM

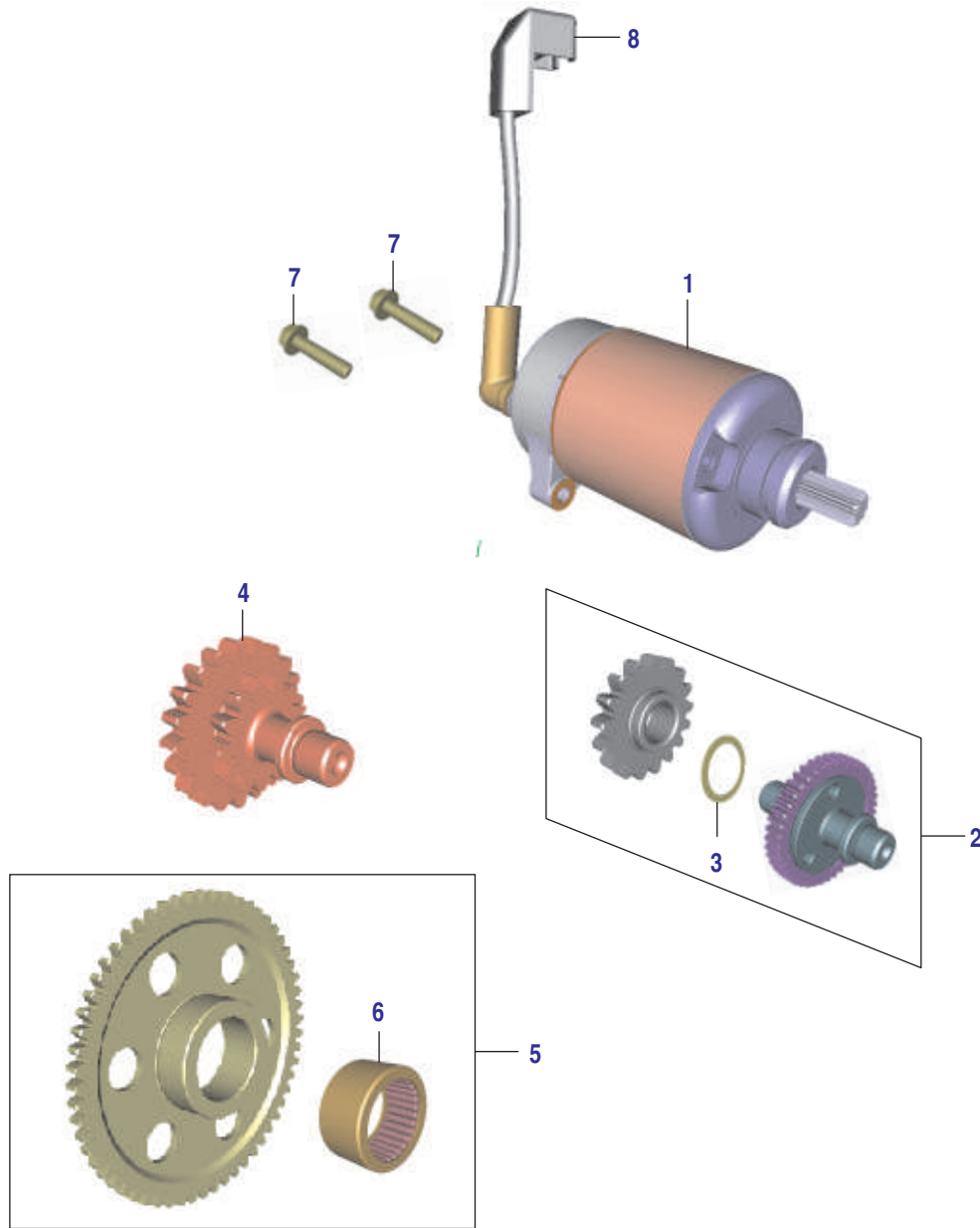
200 Duke



No.	Part No.	Description	Qty
1	JU 5710 00	Oil Pump Assy Comp	1
2	36 JG00 04	Oil pump Shaft Complete	1
3	JG 5710 18	Gear Oil Pump Drive	1
4	39 2557 17	Circlip	1
5	JG 5710 24	Mesh Oil Filter Assly.	1
6	39 0999 06	Pin - Hollow Dowel	2
7	LA E000 18	Bolt Flanged M6X1X30L-Precoated	3
8	JG 5090 03	Plain Washer	1
9	JG 5710 28	Piston Oil Pump	1
10	JG 5410 53	Spring Oil Pump	1
11	JG 5710 14	Oil Filter	1
12	JG 5710 16	O-Ring	1
13	JG 5710 15	Cap Oil Filter	1
14	KA DP05 16	Hexagonal Flange Bolt	2
15	LJ A000 04	'O' Ring	1
16	JA 5410 21	Strainer Cap	1
17	59 2100 23	'O' Ring	1



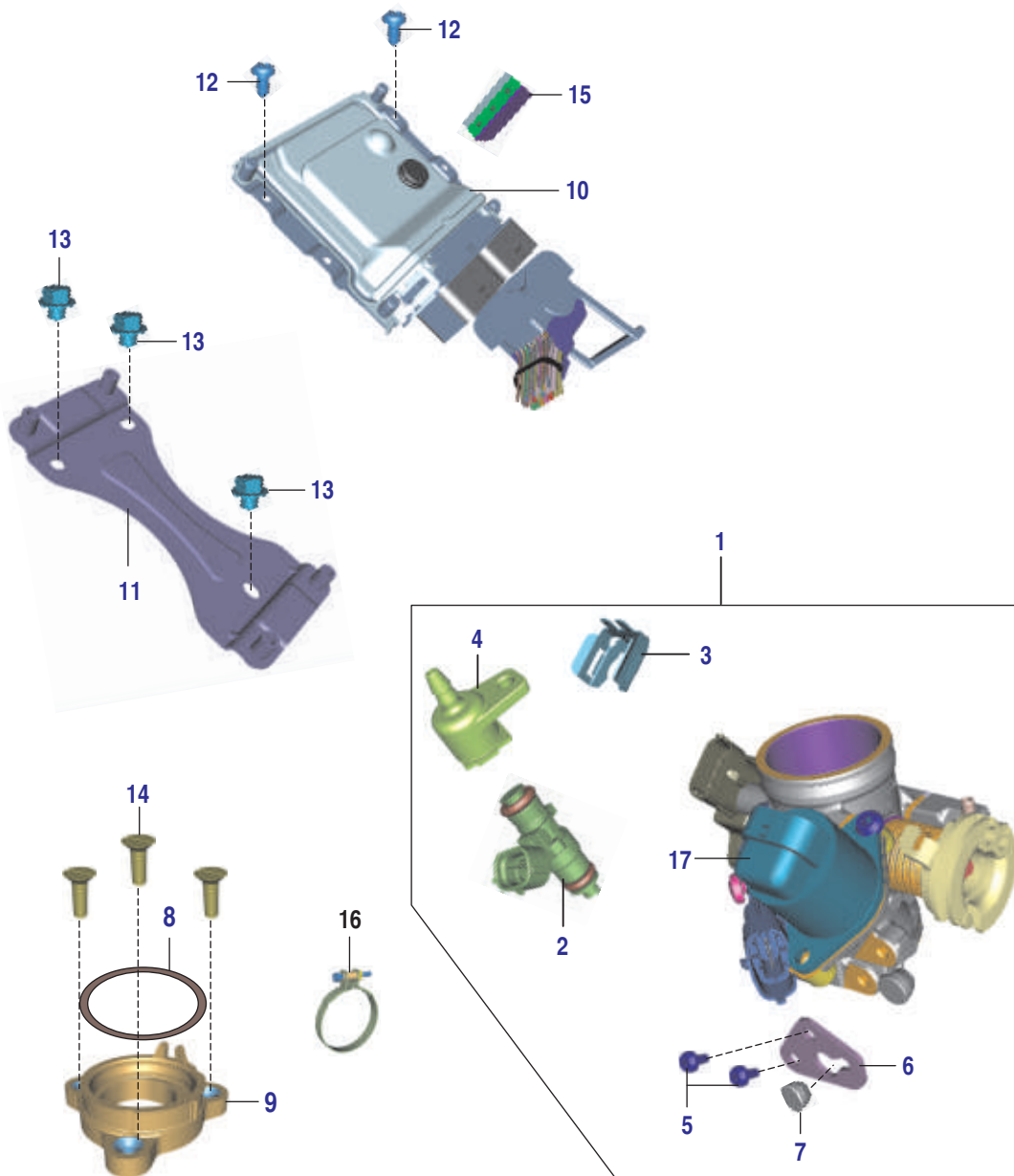
No.	Part No.	Description	Qty
1	JG 5412 22	Ignition Cover (magneto Cover)	1
2	JG 5412 24	Ignition Cover Gasket	1
3	JG 3510 05	Stator Cpl.	1
4	JG 3510 21	Rotor Cpl.	1
5	JG 5412 32	Plug Without O-ring (cap Tdc Finder)	1
6	30 1011 95	O-ring 15,8x2,4	1
7	39 0999 06	Pin Dowel 8x6,4x14mm	2
8	LA E000 16	Pan Cross Screw M5X10 PH	1
9	JG 5412 23	Bracket F. Stator Cable	1
10	JG 3512 03	Ignition Coil With Cable	1
11	JG 3512 08	Gasket Spark Plug Connect.	1
12	JG 3512 02	Rubber Gasket Spark Plug	1
13	JG 3512 09	Spark Plug M12 (BOSCH)	1
14	JG 5412 07	Chain Guard	1
15	KA DQ06 45	HH Collar Screw M6x45 Sw10	3
16	KA DQ06 30	HH Collar Screw M6x30 Sw10	9
17	DK 1012 84	AH Screw M5x35 Self Locking	3
18	39 2165 11	Washer	1
19	DH 1013 96	Flanged Bolt M10X1,2 5X30	1
20	JY 5514 02	Sprag Clutch	1
21	DD 1110 12	Grommet H.T Coil	1
22	JG 3512 01	Spark Plug Cap	1
23	LA C000 14	Bolt	1



No.	Part No.	Description	Qty
1	JG 3516 00	E-starter Engine Cpl. (Starter Motor)	1
2	JG 6214 13	Torque Limiter Cpl.	1
3	DK 1014 50	Shim 0,45 mm	x
3	DK 1014 45	Shim 0,6 mm	1
3	DK 1014 51	Shim 0,75 mm	x
3	DK 1014 52	Shim 0,9 mm	x
4	JG 6214 12	Intermediate Starting Gear	1
5	JG 6214 17	Freewheel Gear Cpl.	1
6	BF 6214 02	Needle Roller Bearing HK2516	1
7	KA DQ06 25	HH Collar Screw M6X25 SW10	2
8	JC 2010 27	Starter Cable	1

# THROTTLE BODY

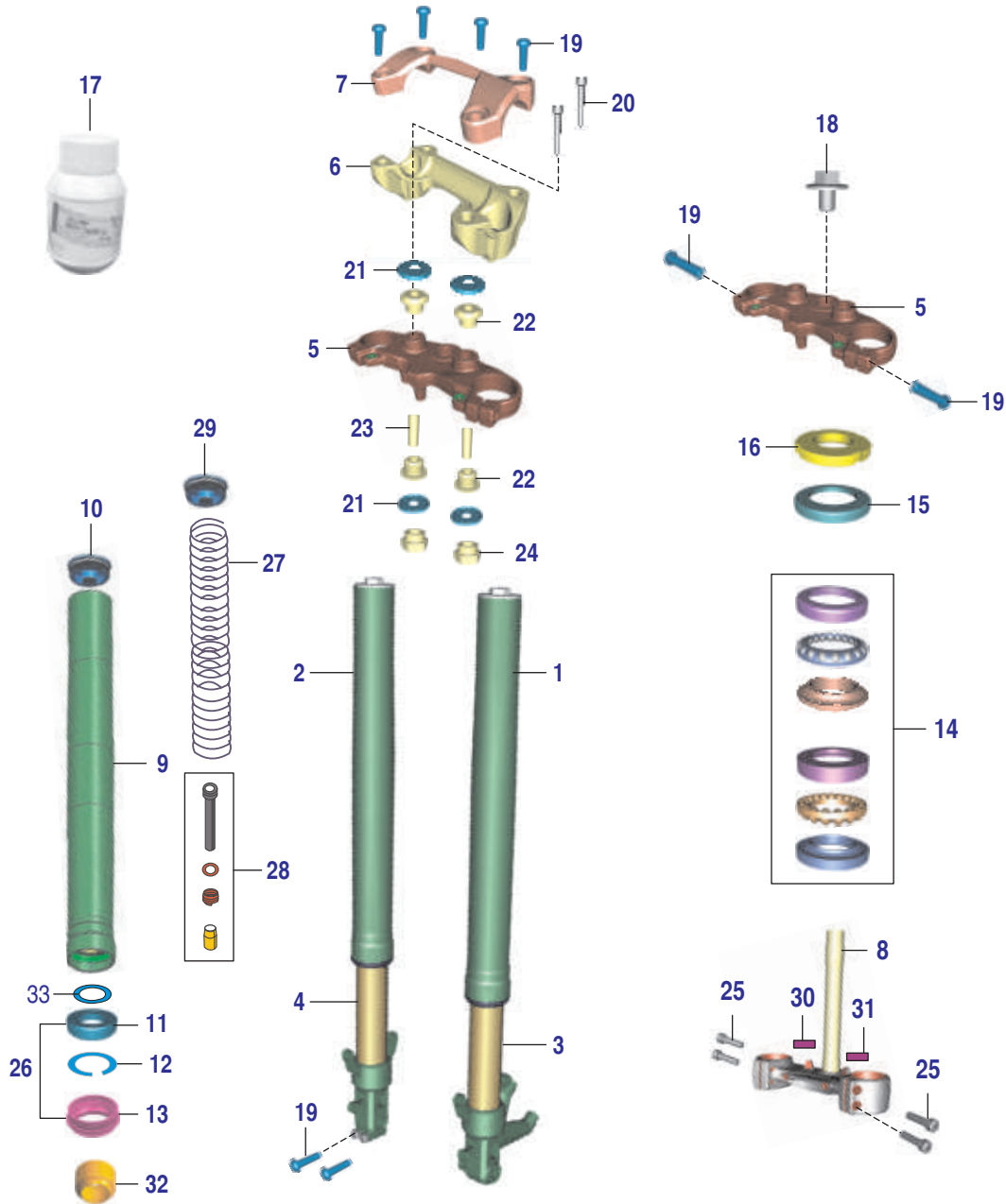
200 Duke



No.	Part No.	Description	Qty
1	JU 5814 04	Throttle Body Cpl.	1
2	JG 6110 04	Fuel Injector	1
3	JG 6110 06	Clamp F. Injector	1
4	JG 5814 16	Connector Fuel Rail	1
5	JG 5814 24	Special Screw M5x12	3
6	JG 5814 19	Cable Support	1
7	DS 1611 56	Grommet	1
8	JG 5814 07	O-ring Conn. Fl. Cyl. - Thr. Body	1
9	JU 5814 13	Intake Pipe	1
10	36 JU00 11	Engine Control Unit	
11	JG 1710 26	Bracket Timing Charger (bracket ECU)	1
12	KB BF04 08	Flat Head Screw M4X8 PH	4
13	LA D000 74	HH Collar Screw M5X6 SW8	3
14	LB C000 02	Flat Head Screw M6X20	3
15	JG 1710 40	ECU Damper - I	1
15	JG 1710 46	ECU Damper - II	1
15	JG 1710 47	ECU Damper - III	1
15	JG 1710 47	ECU Damper - IIII	1
16	JU 58100 06	Clamp Connecting Tube	1
17	JG 6112 06	Stepper Motor	1

# FRONT FORK, TRIPLE CLAMP

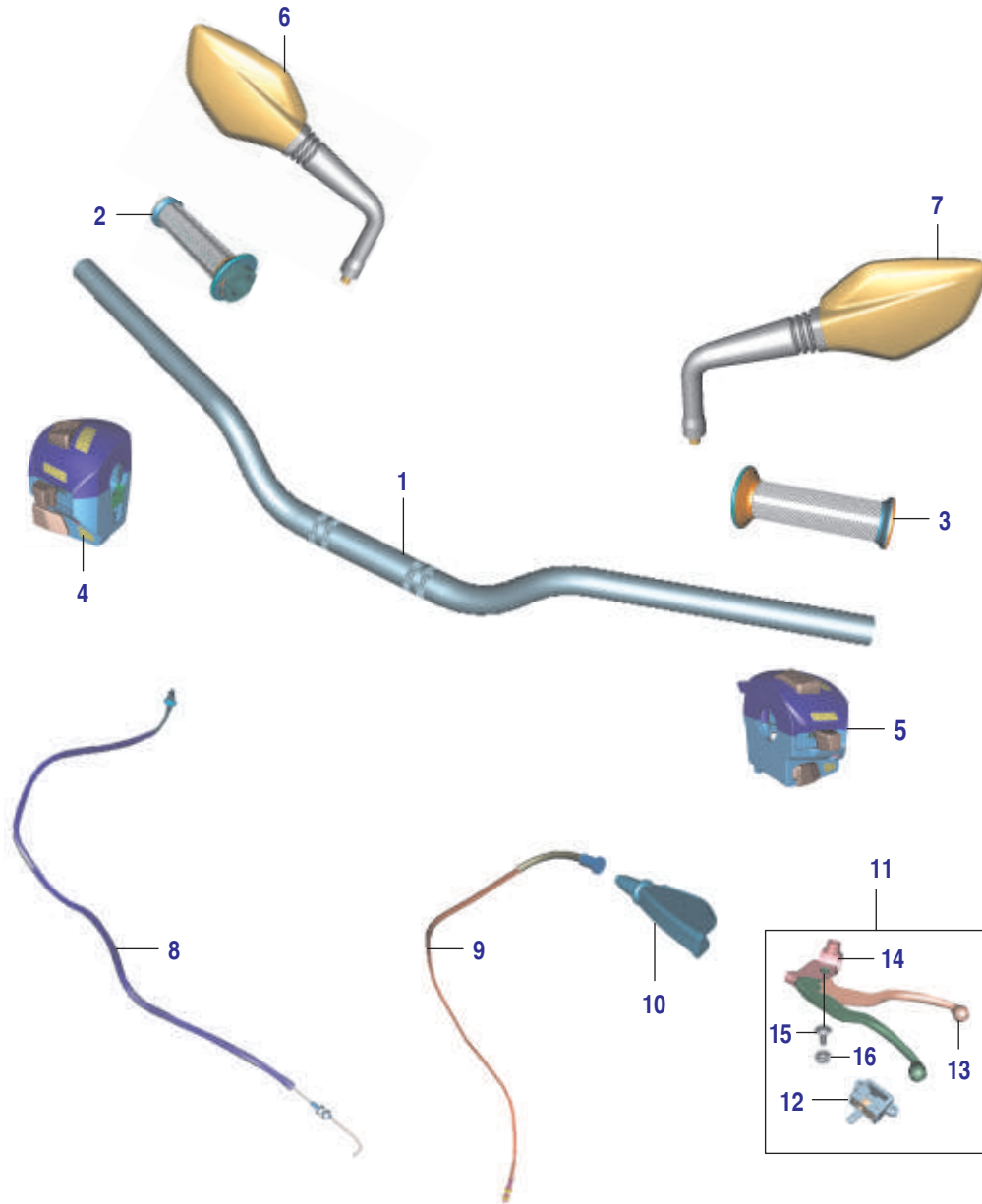
200 Duke



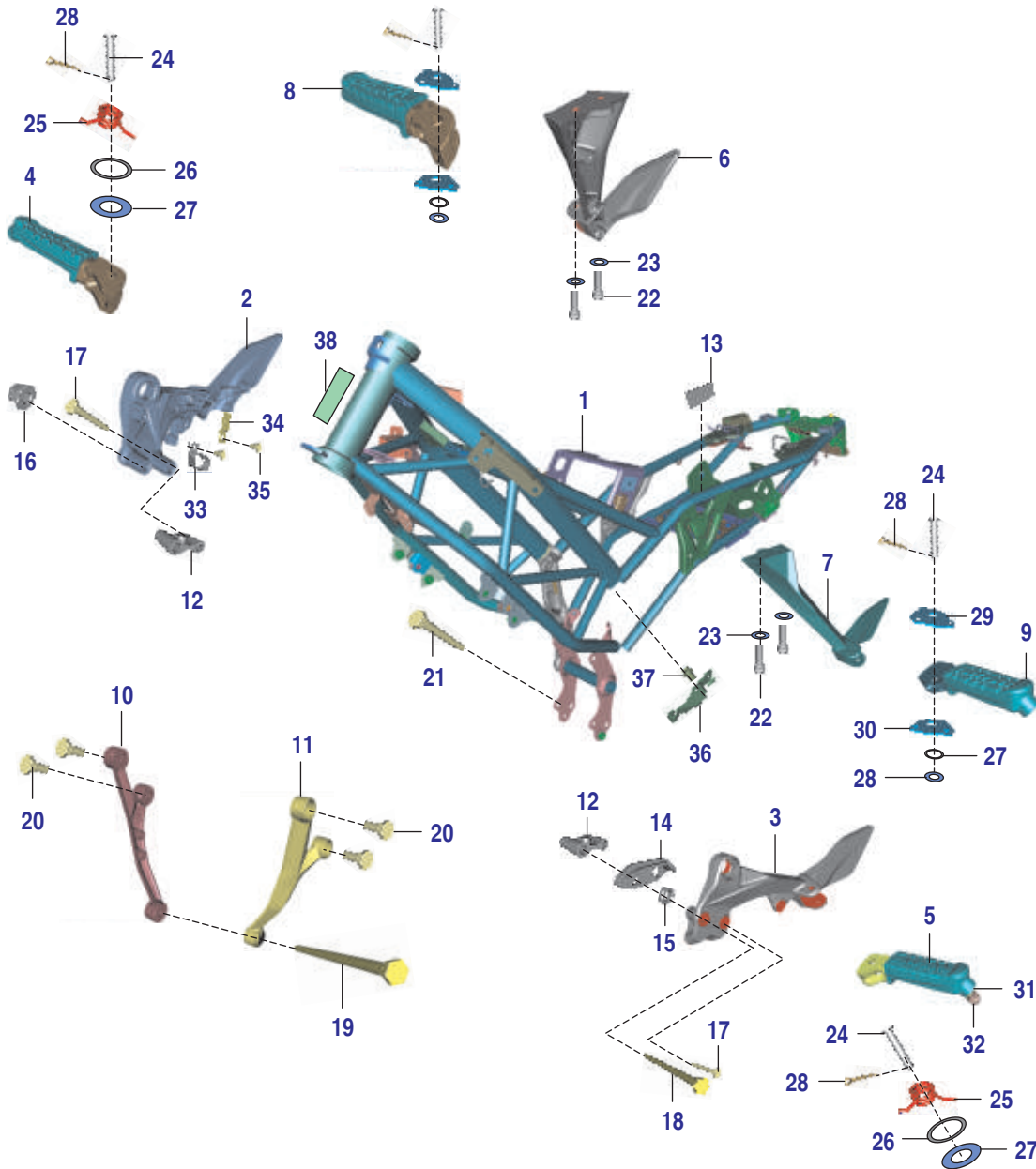
No.	Part No.	Description	Qty
1	JU 1210 02	Leg Assly. LH	1
2	JU 1210 03	Leg Assly. RH	1
3	JU 1210 06	Inner Tube Assly. LH	1
4	JU 1210 07	Inner Tube Assly. RH	1
5	JG 1510 02	Top Triple Clamp (upper)	1
6	JG 1510 14	Handle Holder Bottom	1
7	JG 1510 20	Top Handle Holder	1
8	36 JG00 10	Bot. Fork Plate Cpl.	1
9	JG 1210 04	Outer Tube Assly. Modified JU 1210 37	2
10	JG 1210 12	Fork Top Bolt	1
11	JG 1210 13	Oil Seal	2
12	JU 1210 09	Circlip	2
13	JG 1210 11	Inner Dust Seal	2
14	36 JG00 41	Steering Head Bearing-kit (Cone Set)	1
15	DK 1810 76	Protection Cap	1
16	DK 1810 75	Adjusting Ring Steering Head (Steering Nut)	1
17	36 PB00 04	Fork Oil For KTM 200	6
18	59 0400 05	Clamp Screw Steering Head	1
19	JG 1510 29	AH Screw M8X27	8
20	LA C000 04	AH Screw M10x1,25x64	2
21	JG 1510 13	Washer 10,5x32x2	4
22	JG 1510 12	Rubber Bushing	4
23	JG 1510 21	Spacer Tube	2
24	LC H000 01	Self L. Nut M10x1,25 H11 Ws17	1
25	LA C000 13	AH Screw M8x30	1
26	36 JU00 19	Kit Fork Oil Seal	1
27	JU 1210 17	Main Spring & Washer	1
28	JU 1210 19	Piston Rod Assembly	1
29	JU 1210 18	Cap Screw	1
30	JG 2330 80	Anti Abrasive Tape	1
31	JG1138 41	Tape Anti Abrasive	1
32	JG 1210 28	Dust Cover	2
33	LD B000 36	Washer	2

# HANDLEBAR, CONTROLS

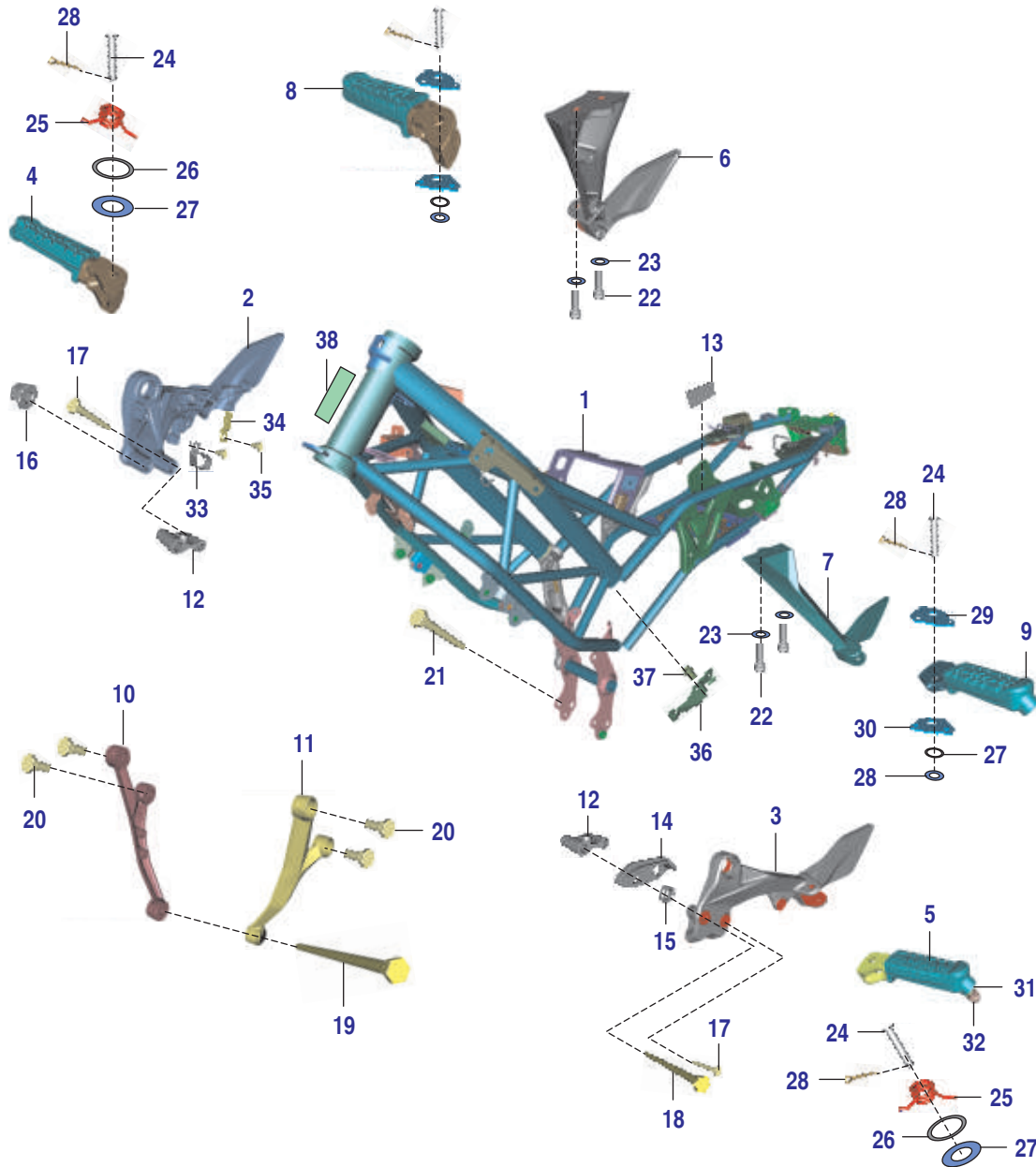
200 Duke



No.	Part No.	Description	Qty
1	JG 1510 18	Handlebar	1
2	JG 1510 23	Throttle Grip Cpl.	1
3	JG 1510 27	Fixed Grip	1
4	JU 4014 00	Control Switch RH	1
5	JG 4014 06	Control Switch LH	1
6	JG 2316 01	Mirror RHS	1
7	JG 2316 00	Mirror LHS	1
8	JG 1612 00	Throttle Cable	1
9	JG 1612 01	Clutch Cable	1
10	DS 1910 52	Protection Cap Throttle Cable (lever Boot)	1
11	JG 1610 07	Clutch Lever Cpl.	1
12	JG 4014 16	Clutch Switch	1
13	DJ 1910 83	Lever Grip Left	1
14	DJ 1910 81	Holder LH	1
15	DL 1910 14	Stud For lever Handle	1
16	39 1184 15	Nut For lever Handle Stud	1



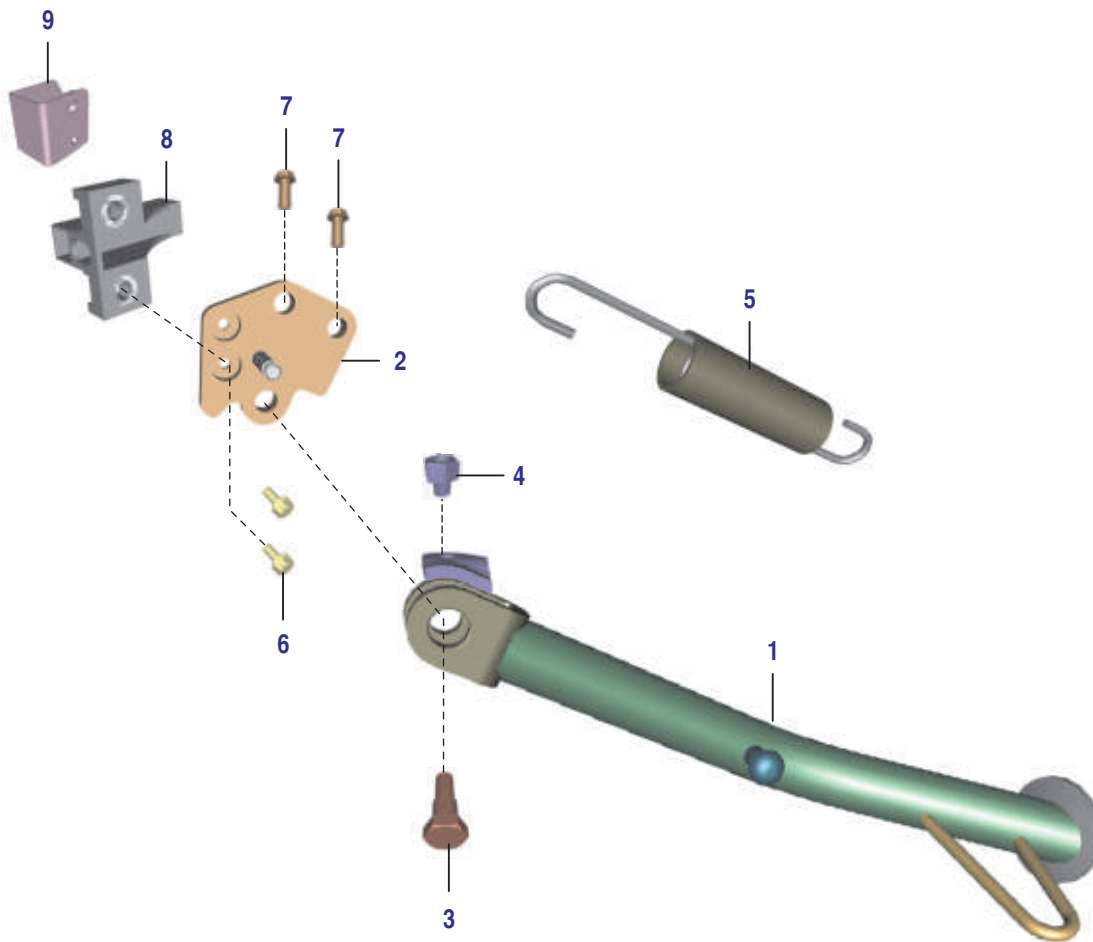
No.	Part No.	Description	Qty
1	JG 1111 10	Frame	1
2	JG 1130 24	Foot R. Bracket Front R/S (holder Step RH)	1
3	JG 1130 01	Footrest Bracket Front L/S (holder Step LH)	1
4	JG 1130 40	Footrest Front R/S Cpl.	1
5	JG 1130 39	Footrest Front L/S Cpl.	1
6	JG 1130 29	Footrest Bracket Rear R/S	1
7	JG 1130 20	Footrest Bracket Rear L/S	1
8	JG 1130 42	Footrest Rear R/S Cpl.	1
9	JG 1130 41	Footrest Rear L/S Cpl.	1
10	JG 1134 01	Engine Support R/S	1
11	JG 1134 00	Engine Support L/S	1
12	JG 1138 00	Tap Footrest Bracket Front (spacer)	2
13	JG 4018 08	Battery Foam	8
14	JG 1220 15	Chain Guide	1
15	JG 1138 02	Spacer Chain Guide	2
16	JG 1130 43	Flanged Nut M10x1,25 WS14	2
17	LA D000 39	HH Collar Screw M10x1,25x92	2
18	LA D000 38	HH Collar Screw M10x1,25x265	1
19	JG 1134 03	HH Collar Screw M8x110 WS14	1
20	LA E000 11	HH Collar Screw M8x16 SW14	4
21	LA D000 75	HH Collar Screw M8x105 SW12	1
22	LA C000 23	AH Screw M8x27	4
23	LD B000 18	Washer 8,2x16x1,5	4
24	JG 1130 43	Pin Footrest Pivot	4
25	JG 1130 07	Return Spring Footrest	2
26	30 1410 31	O-ring 9x1,5	4
27	LD B000 19	Washer M8	4
28	LH A000 02	Pin 25x1,8mm	4
29	JG 1130 34	Engage Panel Footrest 1	2
30	JG 1130 35	Engage Panel Footrest 2	2



No.	Part No.	Description	Qty
31	LD B000 19	Plain Washer 6,4x12x1	2
32	JG 1130 52	Cap Screw M6x10 SS	2
33	JG 1138 14	Brake Hose Guide Clamp Front	1
34	JG 1138 15	Brake Hose Guide Clamp Rear	1
35	KA EM06 10	Bolt Clamp	2
36	JG 1138 10	Bracket Clutch Cable & Reservoir	1
37	LA E000 14	Bolt For Clutch Cable Bracket	2
38	JG 2330 01	Tape Adhesive	1

# SIDE STAND

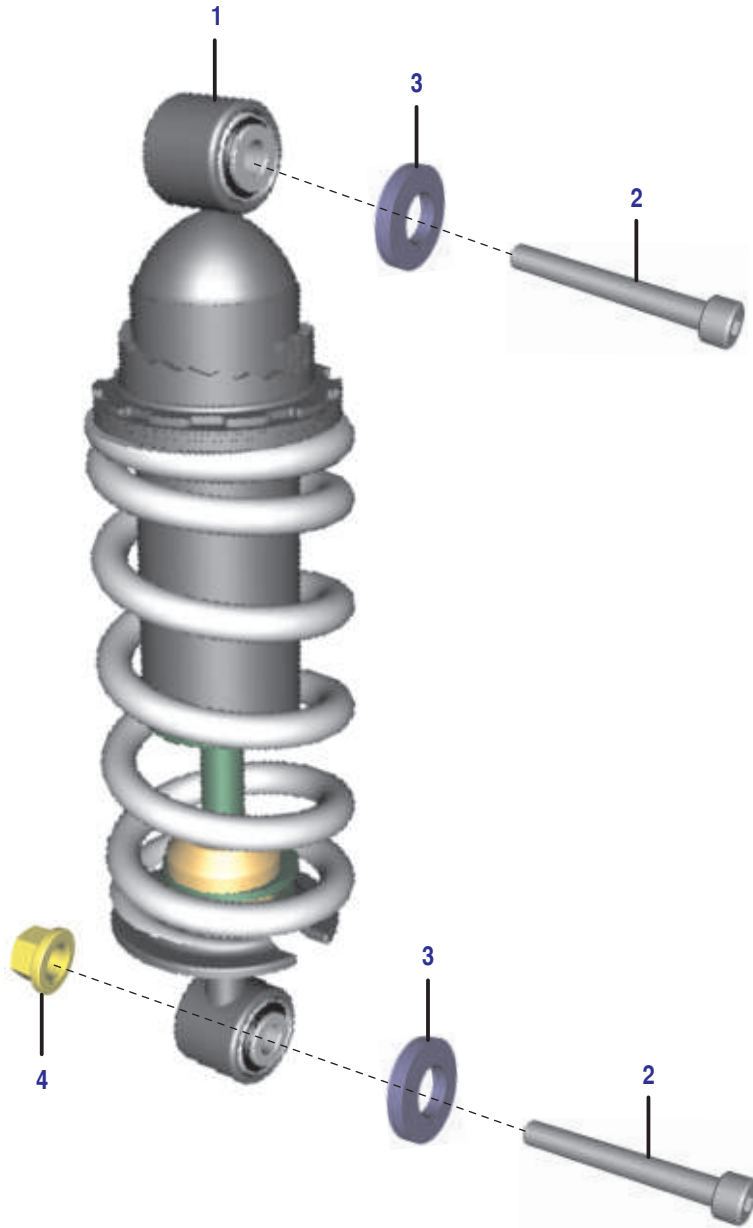
200 Duke



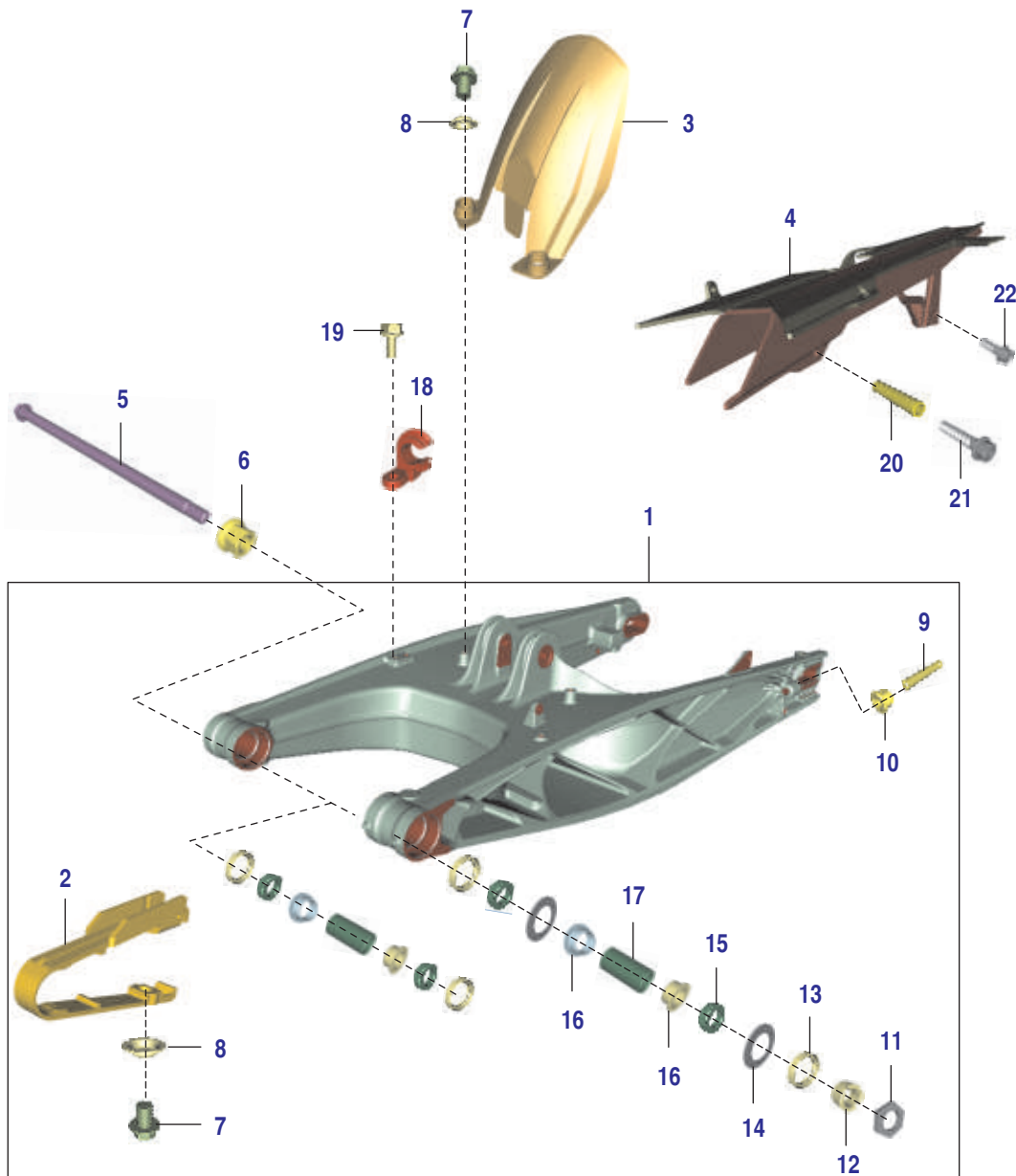
No.	Part No.	Description	Qty
1	JG 1132 03	Side Stand	1
2	JG 1132 04	Side Stand Bracket	1
3	JG 1132 07	Screw F. Side Stand	1
4	JG 4014 11	Magnet Holder	1
5	JU 1132 00	Spring For Side Stand With Cover	1
6	LA E000 10	HH Collar Screw M5X13 SW8	2
7	LA D000 44	HH Collar Screw M10X1X25 SS	2
8	JG 4014 02	Side Stand Switch	1
9	JG 1132 10	Guard Side Stand Switch	1

# SHOCK ABSORBER

200 Duke



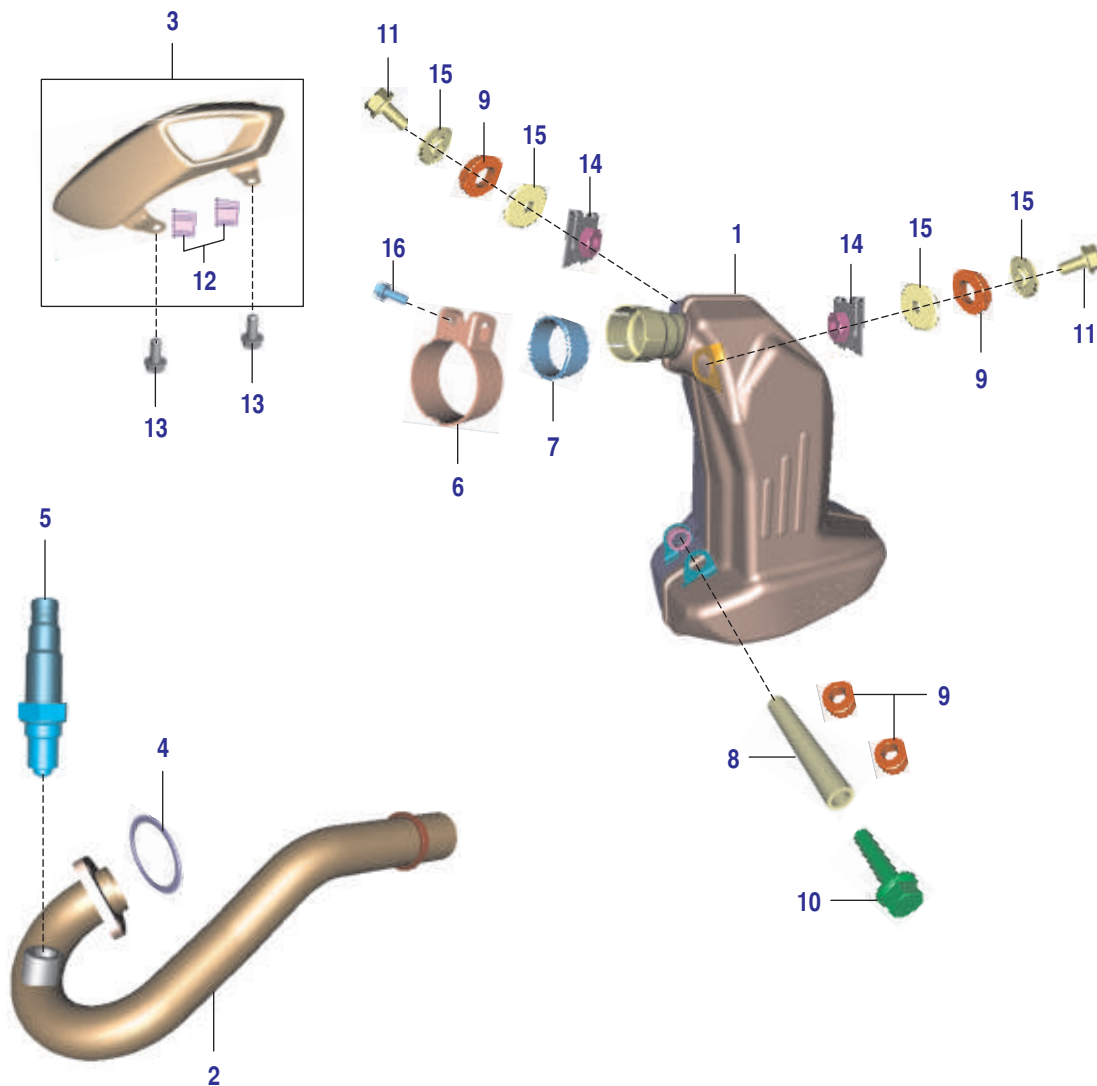
No.	Part No.	Description	Qty
1	JU 1210 00	Monoshock Cpl.	1
2	LA C000 06	AH Screw M10x1,25x80 10.9	2
3	LD B000 11	Plain Washer 10,2x20x3mm	2
4	LC G000 03	Nut Flanged M10x1,25 WS13	1



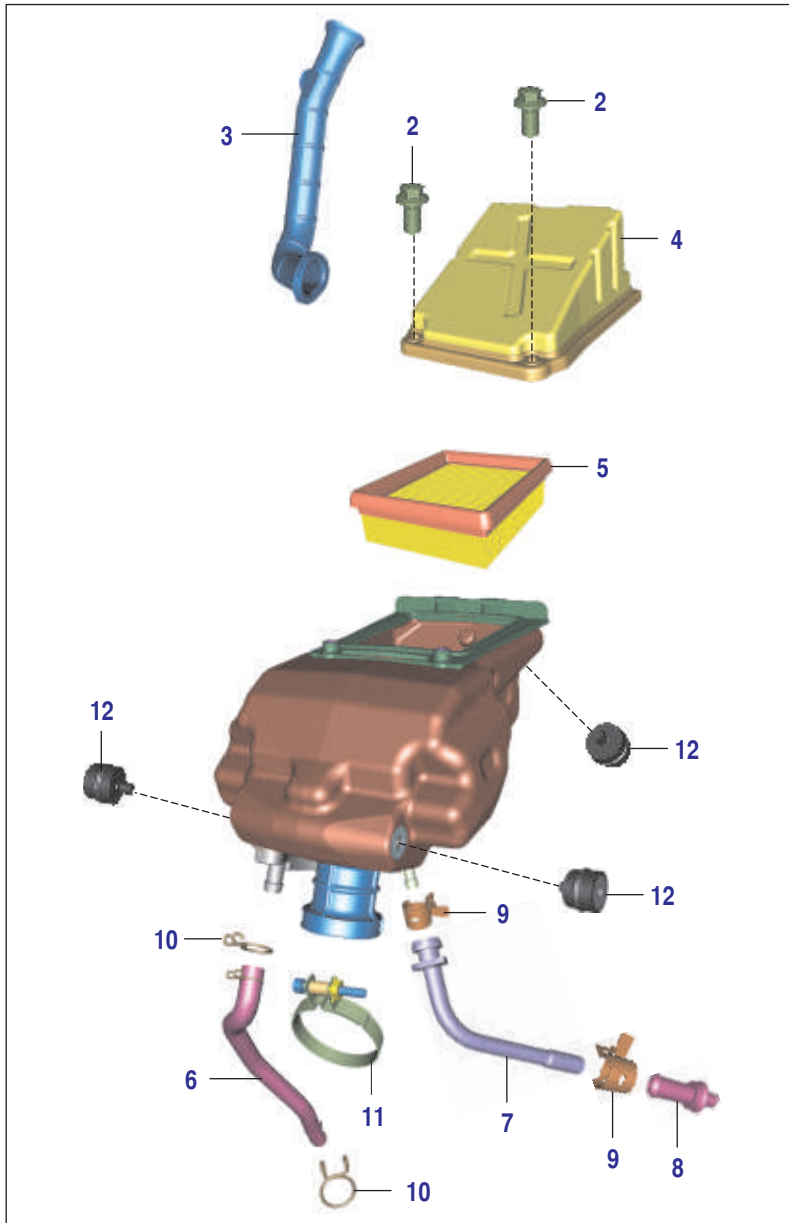
No.	Part No.	Description	Qty
1	JG 1220 35	Swing Arm Cpl.	1
2	JG 1220 36	Chain Slider Guard (Old JG 1220 05)	1
3	JG 1814 06	Splash Protector (front Hugger)	1
4	JG 1812 10	Chain Guard Cpl.	1
5	JG 1220 16	Swing Arm Bolt L=298mm	1
6	LC G000 04	Flanged Nut M14x1,5	1
7	KA CE06 16	Bolt Flange	4
8	JG 1220 28	Sleeve Chain Slider	4
9	LA A000 07	Bolt Hex M10x1,25x50 WS10	2
10	LC G000 03	Nut Flanged M10x1,25 WS13	2
11	JG 1220 32	Hexagonal Washer	2
12	JG 1220 33	Adjusting Ring Swing Arm (threaded Washer)	2
13	JG 1220 12	Oil Seal Ring 25x32x7	4
14	JG 1220 26	Stop Disk 22.2x31.7x1	2
15	JG 1220 11	Bucket For Shaft Seal Ring (collar)	4
16	JG 1220 09	Igus Slide Bearing	4
17	JG 1220 10	Bushing Sleeve 15.1x20x38	2
18	JG 1220 04	Brake Hose Guide	2
19	LA E000 10	HH Collar Screw M5x 13 Sw8	2
20	JG 1220 34	Tube For Chain Guide	1
21	JG 1812 32	Bolt Chain Guide (fr.)	1
22	JG 1812 33	Bolt Chain Guide (rr.)	1

# EXHAUST SYSTEM

200 Duke



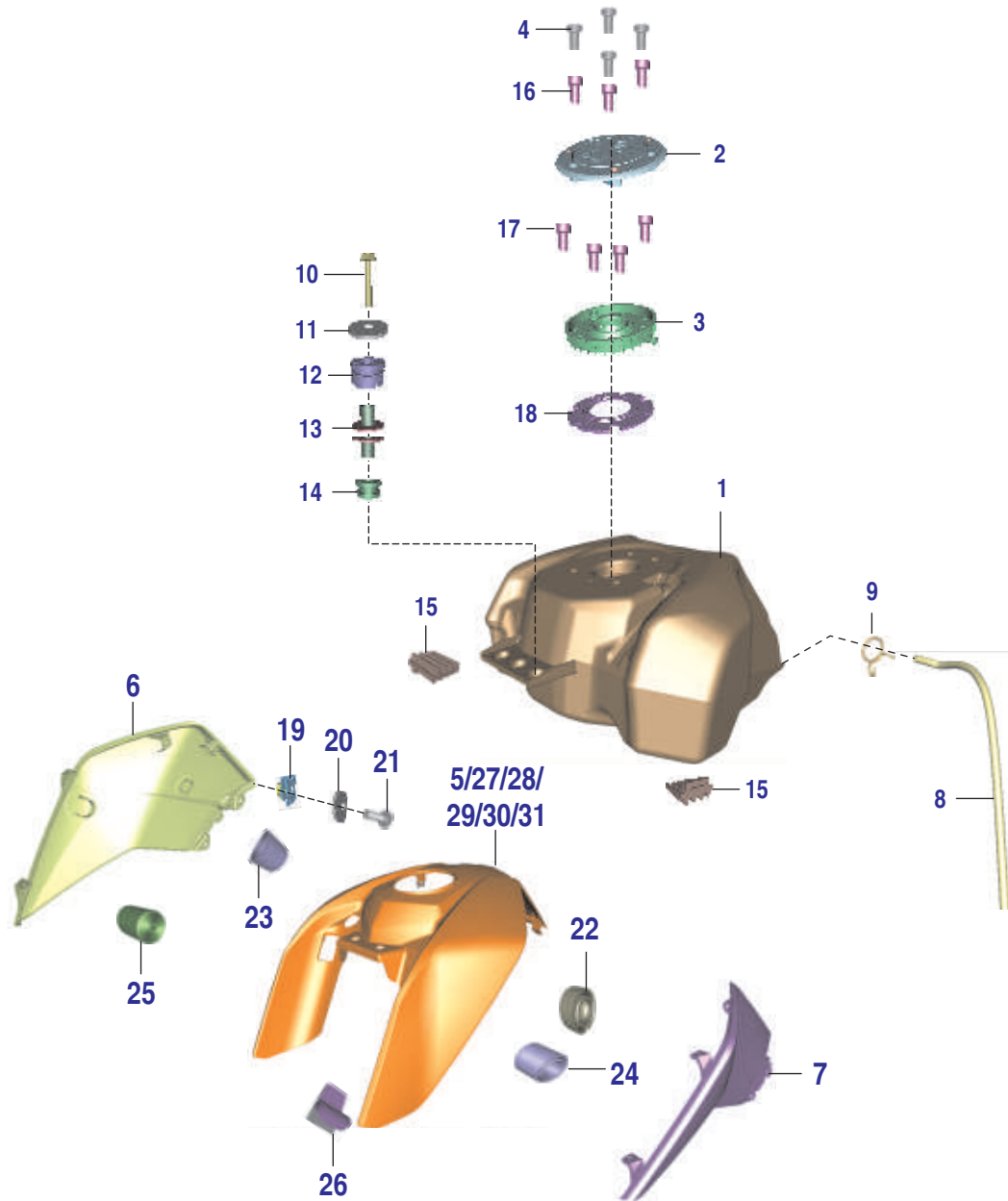
No.	Part No.	Description	Qty
1	JU 5910 31	Silencer Cpl.	1
2	JU 5910 19	Exhaust Pipe A Cpl.	1
3	JG 5910 64	Heat Shield Cpl.	1
4	JG 5910 70	Manifold Gasket	1
5	JG 5110 10	Lambda Sensor	1
6	JG 5910 38	Clamp Cpl.	1
7	JG 5910 39	Seal Ring Exhaust Pipe A	1
8	JG 5910 55	Mounting Tube	1
9	JG 5910 53	Damping Element	4
10	LA D000 75	Bolt Flange	1
11	JG 1138 37	HH Collar Screw M8X110 SW12	2
12	JG 5910 68	Rubber Cap	2
13	KA DQ06 14	HH Collar Screw M6X14 SW10	2
14	JG 1134 04	Clip Nut	2
15	JG 5910 96	Collar Bushing	4
16	LA D000 36	Bolt for Clamp	1



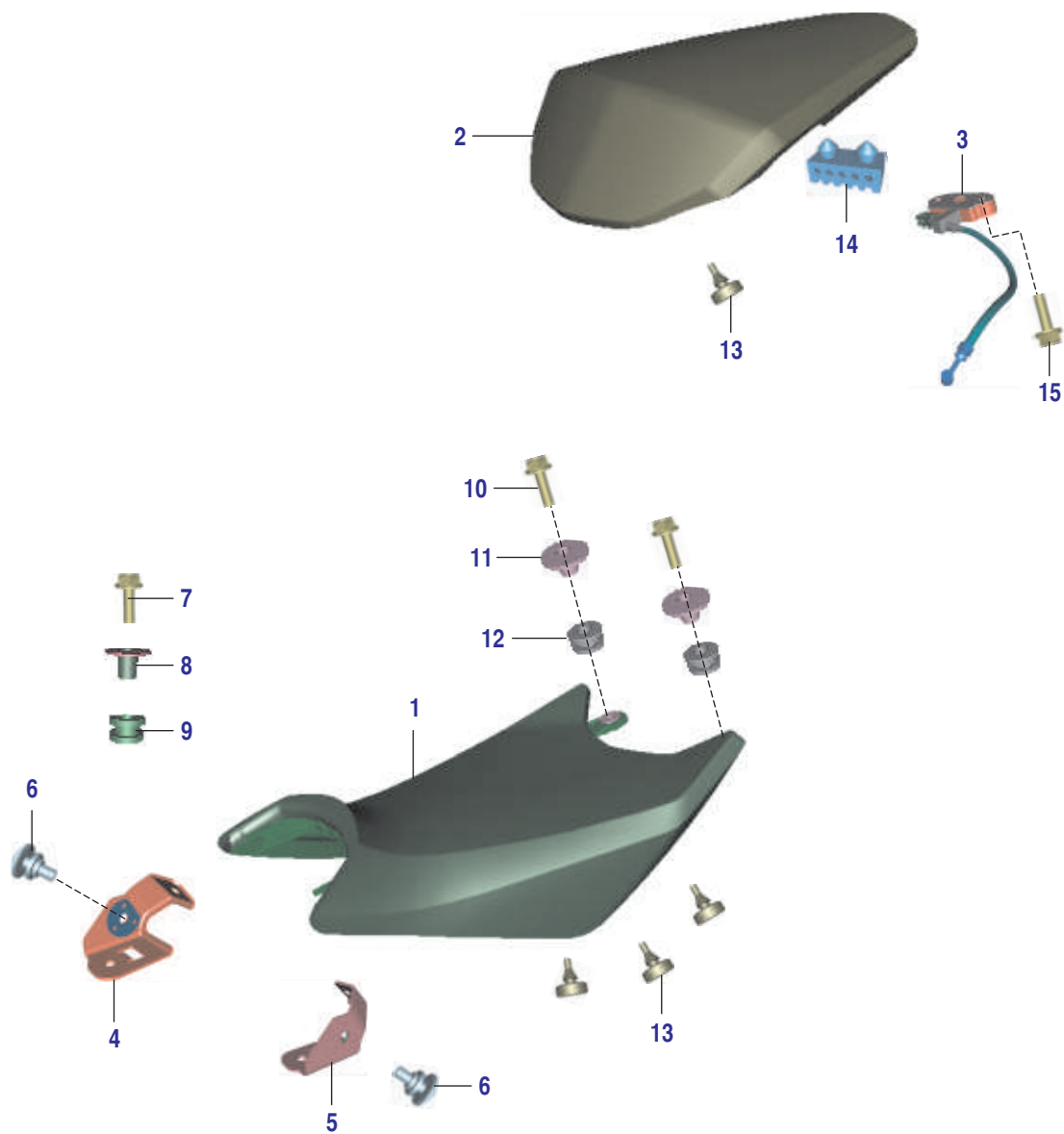
No.	Part No.	Description	Qty
1	JU 5810 16	Filter Box Cpl. (Old JU 5810 01)	1
2	KA EM06 12	HH Collar Screw M6x 12 Sw10	2
3	JG 5810 33	Air Intake	1
4	JG 5810 47	Cap (Filter Box Cover)	1
5	JG 5810 04	Air Filter	1
6	JG 5810 36	Engine Breather Tube	1
7	JG 5810 60	Drainage Hose	1
8	DS 1211 26	Plug Drainage	1
9	JG 5810 61	Hose Clamp	2
10	JG 5810 56	Hose Clamp	2
11	JU 5810 06	Hose Clamp	1
12	JG 5810 58	Rubber Grommet	3

# TANK, COVER

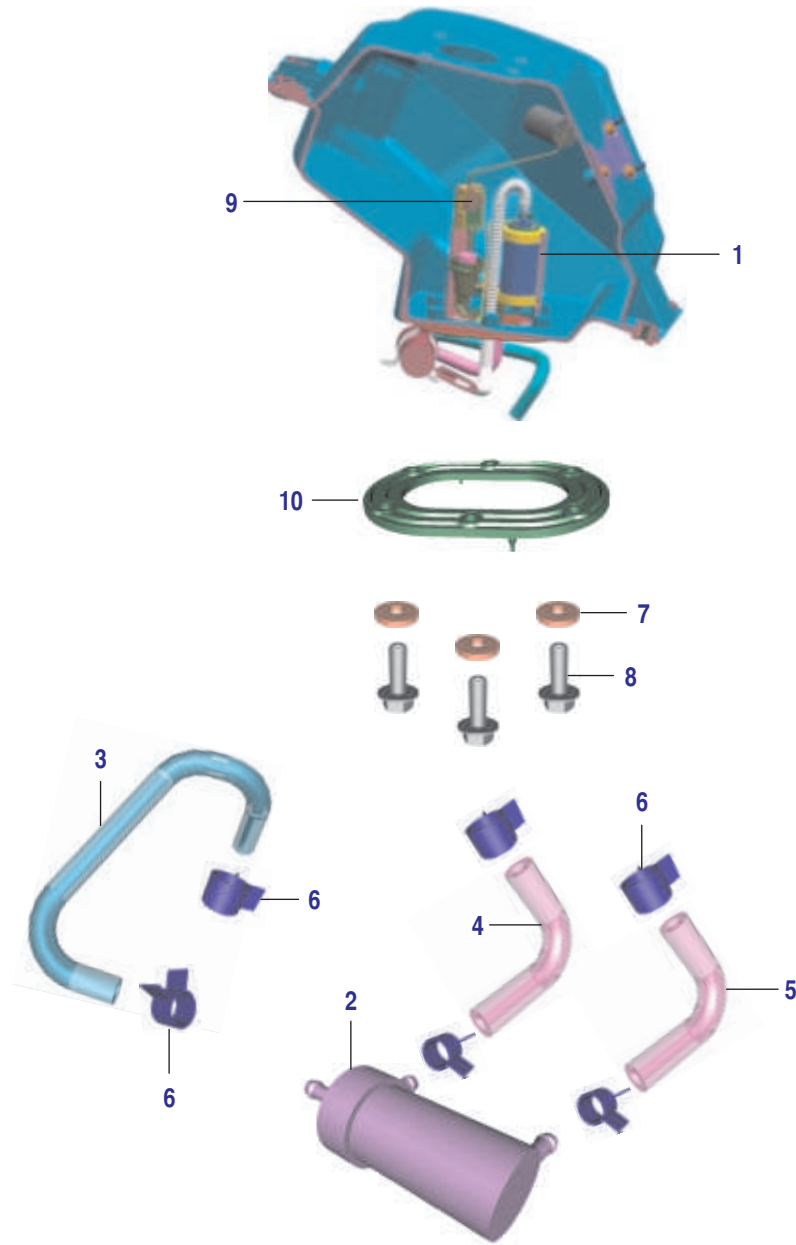
200 Duke



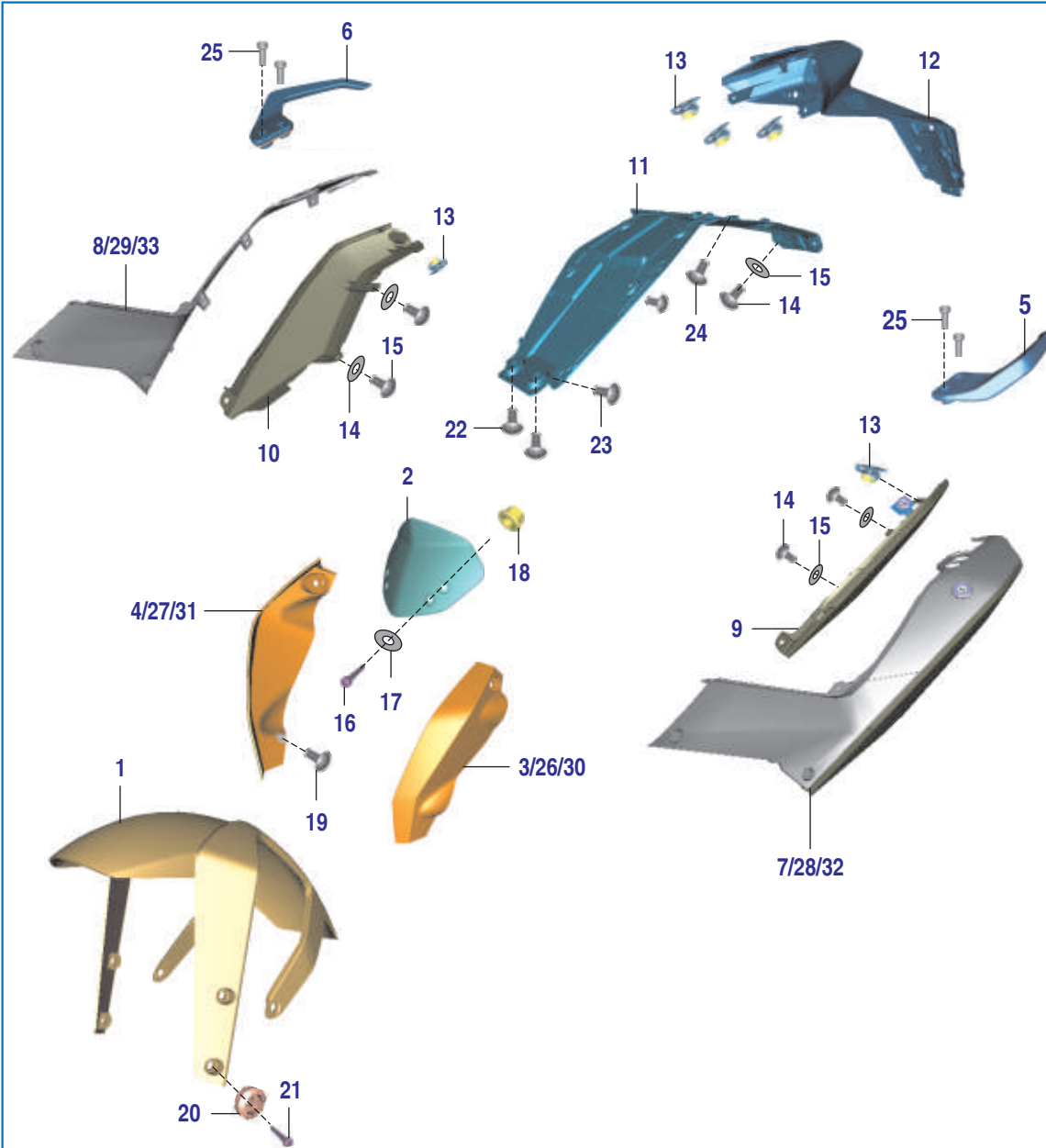
No.	Part No.	Description	Qty
1	JG 1710 56	Fuel Tank	1
2	JG 1710 44	Tank Cap	1
3	JG 1710 55	Cup Cap	1
4	JG 1710 53	Plug Tank Cap	4
5	JG 7202 5C	Cover Fuel Tank Top Orange	1
6	JG 7203 4W	Cover Fuel Tank R/S Black Mat	1
7	JG 7202 4W	Cover Fuel Tank L/S Black Mat	1
8	JG 1710 25	Tube Drain Cup Cap	1
9	JG 1710 30	Clamp	1
10	LA C000 31	HH Collar Screw M6x40 Sw10	2
11	LD B000 13	Shim 7x22x2 Mm (washer)	2
12	JG 1710 24	Grommet Top Cover	2
13	JG 1710 20	Sleeve Tank Mounting	6
14	JG 1710 22	Grommet Tank Mounting	4
15	JG 1710 27	Tank Rest Rubber	2
16	LA C000 11	AH Screw	3
17	LA C000 11	AH Screw	4
18	JG 1710 54	Gasket For Cup Cap Tank	1
19	JG 1710 31	Clip Nut M5	8
20	39 2141 24	Shim Pvc 5,3x11,5x1,5 (washer)	4
21	LB U000 09	Cheese-Head Screw M5x15	8
22	JG 1710 33	Tank Rubber Pad Small L/S	1
23	JG 1710 35	Tank Rubber Pad Small R/S	1
24	JG 1710 34	Tank Rubber Pad Large L/S	1
25	JG 1710 36	Tank Rubber Pad Large R/S	1
26	JG 1710 37	Lug Drain Pipe Return	1
27	JG 7202 4M	Cover Tank Black	1
28	JG 7202 5S	Cover Tank White	1
29	52 JU00 13	Petrol Tank Cover Assly Orange	1
30	52 JY00 17	Petrol Tank Cover Assly White	1
31	52 JU00 32	Petrol Tank Cover Assly Black	1



No.	Part No.	Description	Qty
1	JG 1910 00	Seat	1
2	JG 1910 03	Passenger Seat	1
3	JG 2326 01	Seat Unlock Sozius (seat Lock Rear)	1
4	JG 1138 09	Mounting Bracket R/S -seat	1
5	JG 1138 08	Mounting Bracket L/S -seat	1
6	JG 1710 23	Special Bolt	2
7	KA DM06 25	HH Collar Screw M6x25 Sw10	2
8	JG 1710 20	Sleeve Tank Mounting	2
9	JG 1710 22	Grommet Tank Mounting	2
10	JG 1910 09	Special Screw M6x25	2
11	JG 1910 08	Collar Bushing Seat Bracket	2
12	FD 2110 06	Rubber Sleeve	2
13	JG 1910 06	Seat Rubber	8
14	DS 2110 04	Seat Rubber Rear	1
15	KA DM06 20	HH Collar Screw M6x20 Sw10	2



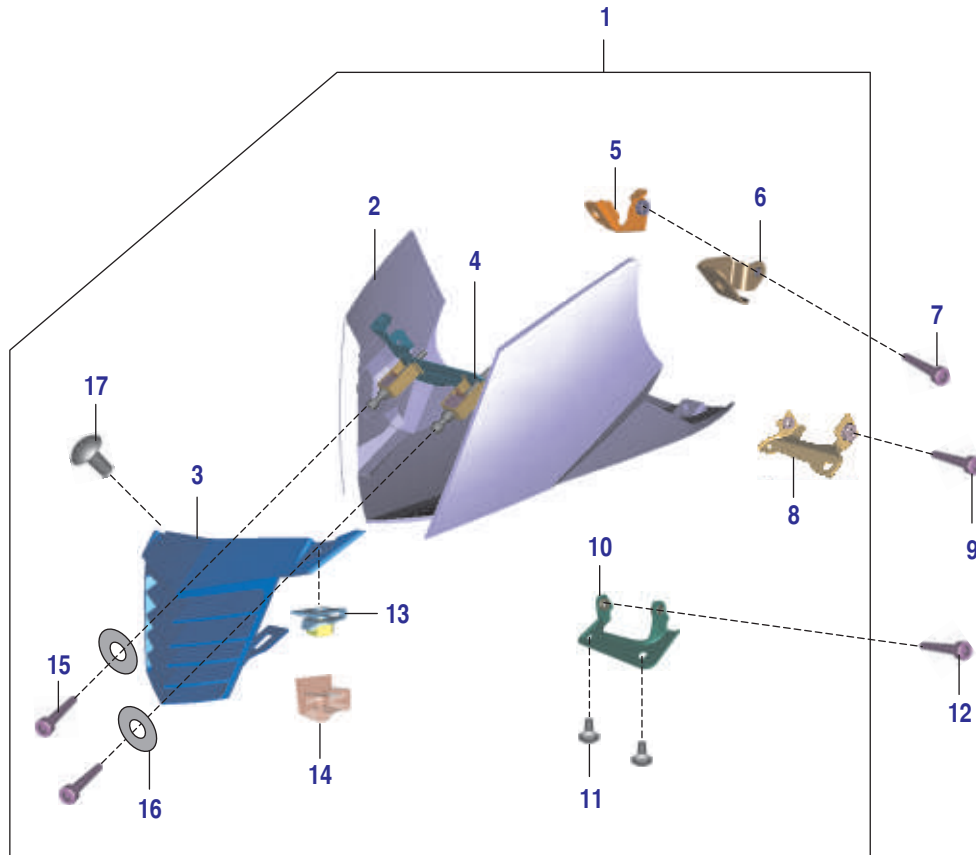
No.	Part No.	Description	Qty
1	JG 1718 00	Fuel Pump	1
2	JG 1718 02	Fuel Filter	1
3	DK 1410 05	Fuel Hose R9	1
4	JG 1718 03	Fuel Hose	1
5	JG 1718 03	Fuel Tank Hose	1
6	JG 1710 29	Clamp 10mm	6
7	LD B000 16	Washer 5,2x14x2mm	6
8	LA D000 80	HH Collar Screw M5x12 SW8	6
9	36 JU00 28	Sensor Fuel Level	1
10	JG 1710 18	Gasket F. Fuel Pump	1



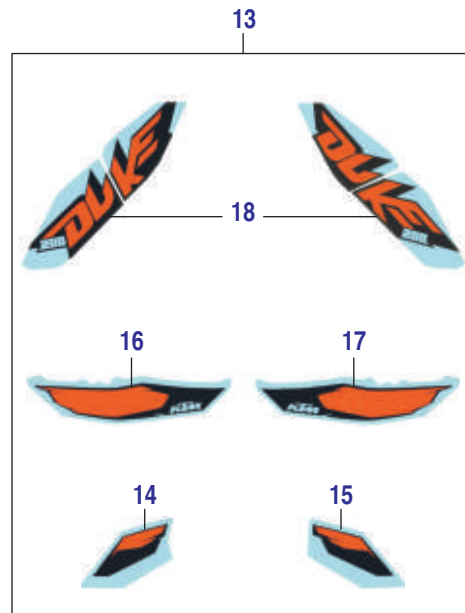
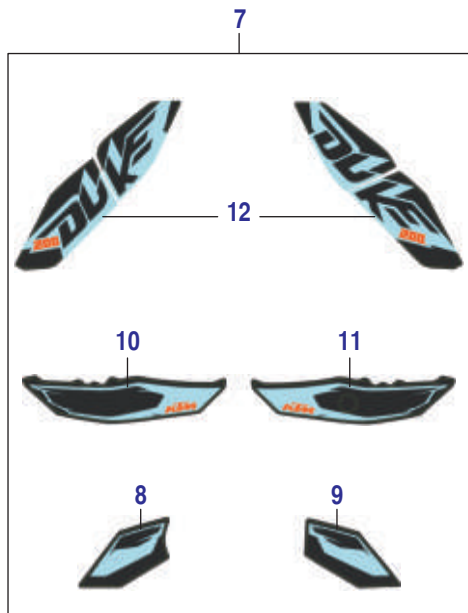
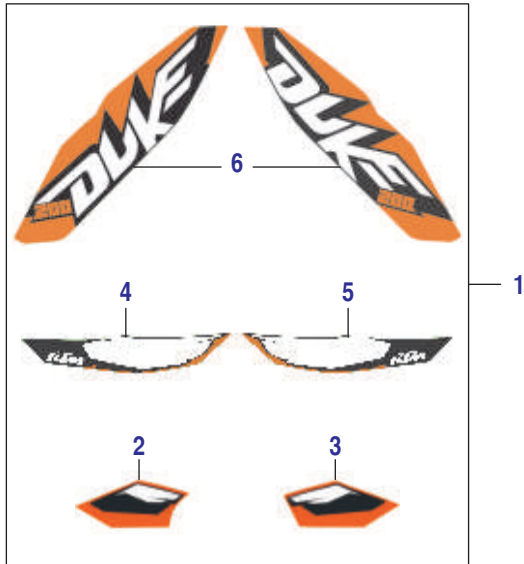
No.	Part No.	Description	Qty
1	JG 7101 4M	Front Fender Black	1
2	JG 1812 30	Wind Shield	1
3	JG 7301 5C	Mask Spoiler L/S Orange	1
4	JG 7302 5C	Mask Spoiler R/S Orange	1
5	JG 2314 04	Grip L/S Cpl.	1
6	JG 2314 05	Grip R/S Cpl.	1
7	JG 7401 5C	Side Cowl LHS Top Orange	1
8	JG 7403 5C	Side Cowl RHS Top Orange	1
9	JG 1812 05	Side Cover Bottom L/S	1
10	JG 1812 06	Side Cover Bottom R/S	1
11	JG 1812 07	Rear End Lower Part (under Tray)	1
12	JG 1814 03	Number Plate Support	1
13	JG 1710 31	Clip Nut M5	9
14	LB R000 03	Cross Pan Screw 4x12 PH	10
15	LD A000 07	Washer 4,5x12x1mm	10
16	LA C000 40	AH Screw M5x20	4
17	LD B000 27	Washer For Windshield	4
18	JG 1812 36	Well Nut M5 L16	4
19	LB R000 02	Self Tapping Screw K50x12 T20	2
20	JG 1814 08	Bushing Front Fender	4
21	KA CE06 16	AH Screw M6x16	4
22	KA DM06 14	HH Collar Screw M6x14 Sw8	2
23	LB U000 07	Cheese Head Screw M5x16	10
24	LA D000 43	Special Screw M6x12 ,5 Ws8	2
25	LA C000 05	AH Screw M8x27	4
26	JG 7301 4M	Mask Spoiler LHS Black	1
27	JG 7302 4M	Mask Spoiler RHS Black	1
28	JG 7204 4W	Side Cowl LHS Black	1
29	JG 7205 4W	Side Cowl RHS Black	1
30	JG 7301 5S	Mask Spoiler LHS White	1
31	JG 7302 5S	Mask Spoiler RHS White	1
32	JG 7204 4W	Side Cowl LHS White	1
33	JG 7205 4W	Side Cowl RHS White	1

# BELLY PAN

200 Duke



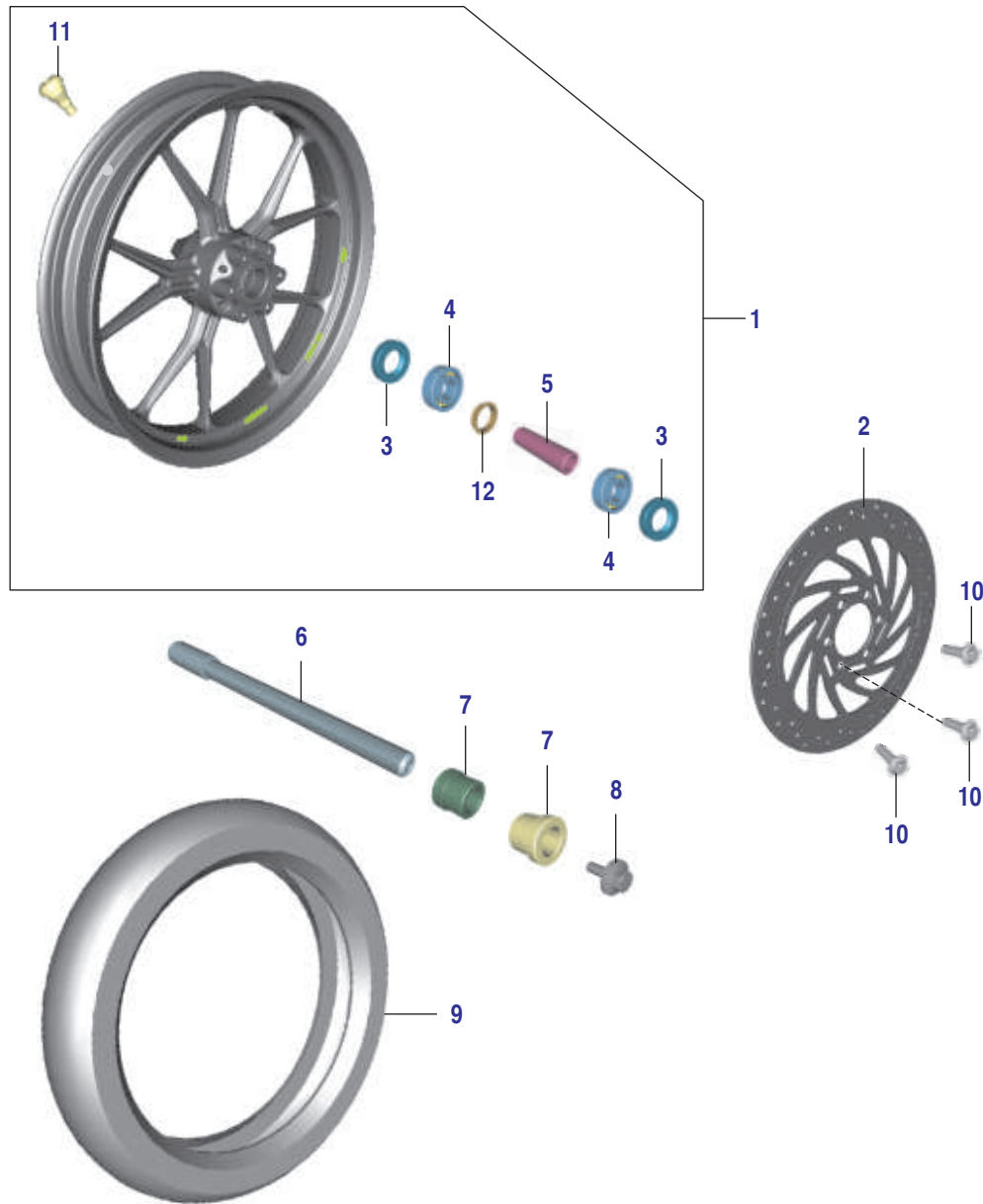
No.	Part No.	Description	Qty
1	36 JU00 16	Kit Belly Pan Assly	1
2	JG 1812 11	Belly Pan	1
3	JG 1812 34	Front Spoiler Top Part	1
4	JG 1812 19	Bracket Front Belly Pan	1
5	JG 1812 31	Bracket R/S Belly Pan	1
6	JG 1812 20	Bracket L/S Belly Pan	1
7	JG 1812 52	HH Collar Screw M6x90	1
8	JG 1812 54	Bracket Rear Belliy Pan	1
9	KA DM06 18	HH Collar Screw M6x60 Sw10	1
10	JG 1812 53	Bracket Center Belliy Pan	1
11	JG 1812 55	Bolt	4
12	JG 1812 52	HH Collar Screw M6x90	1
13	DJ 1612 29	Clip Nut	1
14	JW 1610 17	Grommet Belly Pan	2
15	KA CE06 50	AH Screw M6x50	2
16	KD BE06 13	Washer	2
17	LA E000 10	Special Screw Belly Pan	2



No.	Part No.	Description	Qty
1	JU 2330 35	Decal Set 200 Duke Orange My13 Alt. JU 2330 39	1
2	JG 2330 08	Bell Pan LH Decal Orange	1
3	JG 2330 09	Bell Pan RH Decal Orange	1
4	JG 2330 38	DECAL SEAT COWL LH Orange My13 Alt. JU 2330 84	1
5	JG 2330 39	DECAL SEAT COWL RH Orange My13 Alt. JU 2330 85	1
6	JU 2330 01	Decal Set Petrol Tank Cover LH + RH Orange	1
7	JU 2330 31	Decal Set 200 Duke Black MY13	1
8	JG 2330 69	Bell Pan LH Decal Black	1
9	JG 2330 70	Bell Pan RH Decal Black	1
10	JG 2330 71	DECAL SEAT COWL LH Black MY13	1
11	JG 2330 72	DECAL SEAT COWL RH Black MY13	1
12	JU 2330 32	Decal Set Petrol Tank Cover LH + RH Black	1
13	JU 2330 23	Decal Set 200 Duke White My13 Alt. JU 2330 40	1
14	JG 2330 44	Bell Pan LH Decal White	1
15	JG 2330 45	Bell Pan RH Decal White	1
16	JU 2330 21	DECAL SEAT COWL LH White My13 Alt. JU 2330 88	1
17	JU 2330 22	DECAL SEAT COWL RH White My13 Alt. JU 2330 89	1
18	JU 2330 27	Decal Set Petrol Tank Cover LH + RH White	1

# FRONT WHEEL

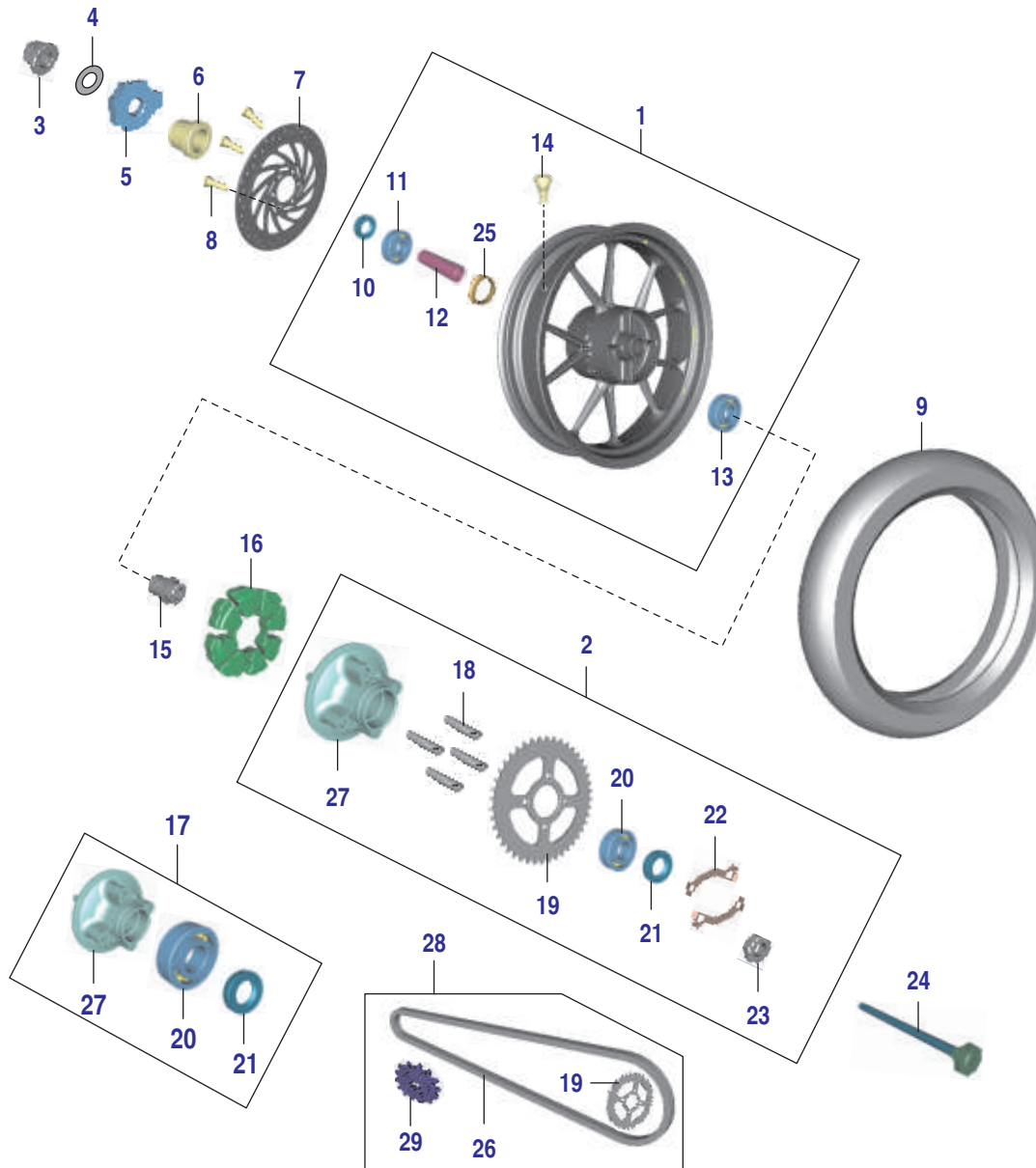
200 Duke



No.	Part No.	Description	Qty
1	36 JG00 06	Front Wheel Cpl.	1
2	JG 1318 01	Wave Brake Disc Front	1
3	DG 1510 05	Shaft Seal Ring 22x35x8 (oil Seal)	2
4	39 2241 20	Ball Bearing 6202	2
5	JG 1310 02	Bearing Spacer Tube Front	1
6	JG 1310 03	Axle Front D=15mm	1
7	JG 1310 06	Spacer Bushing Front Wheel	2
8	JG 1310 07	Axle Screw M8	1
9	JG 1310 04	Tyre Front	1
10	JG 1318 02	Special Screw M8x30 Self Lock.	6
11	DK 1510 26	Valve Cpl.	1
12	30 1510 98	Support	1

# REAR WHEEL

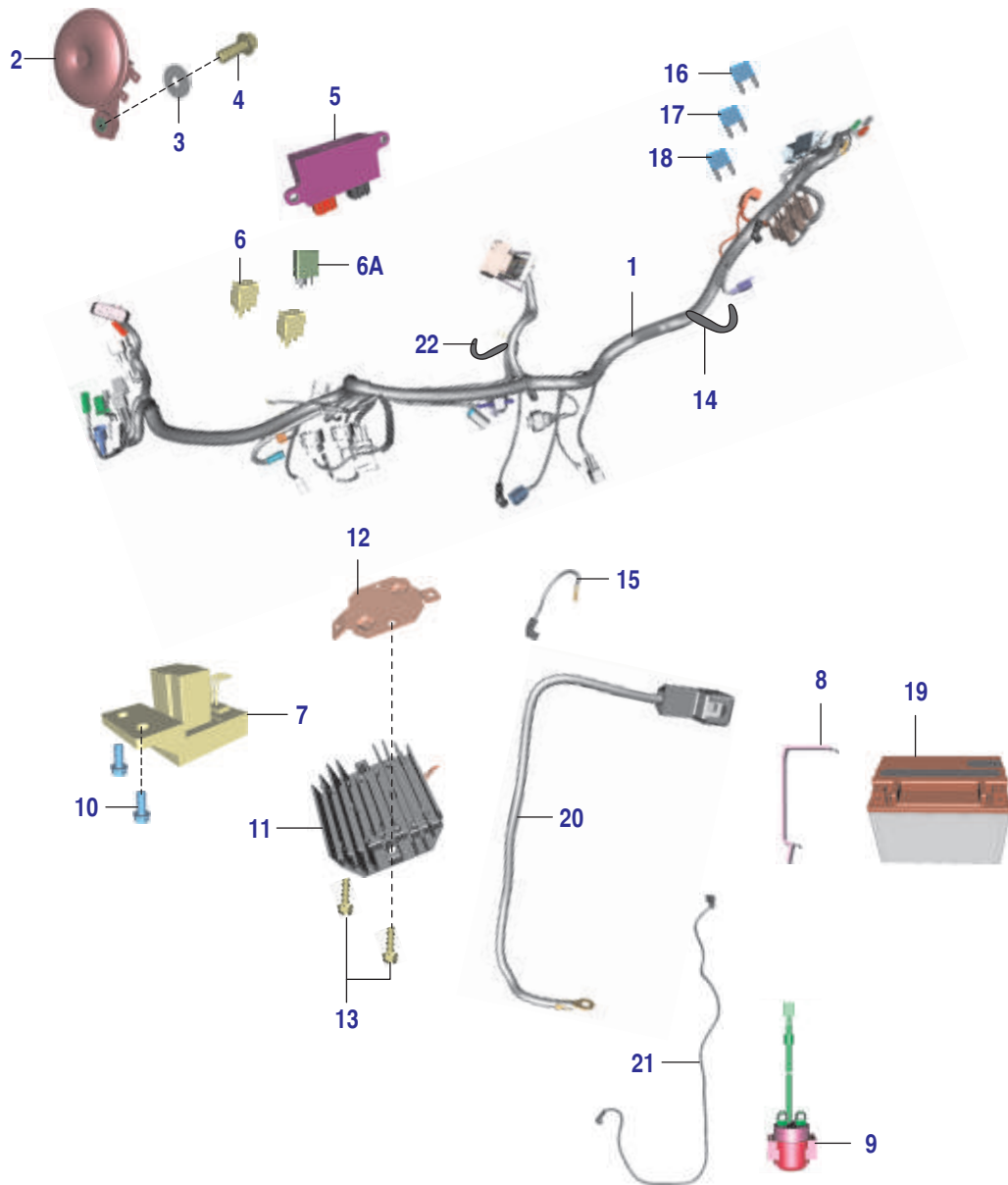
200 Duke



No.	Part No.	Description	Qty
1	36 JG00 07	Rear Wheel Cpl. 4.00x17	1
2	JU 1312 06	Damping Rubber Cpl.	1
3	DH 1710 19	Collar Nut Wheel Spindle Rear	1
4	LD A000 04	Washer 15,2x30x2mm	1
5	JG 1220 07	Chain Tensioner R/S (chain Adjuster RH)	1
6	JG 1312 11	Spacer Bushing Rear Wheel R/s	1
7	JG 1318 09	Wave Brake Disc Rear	1
8	JD 1318 11	Special Screw M8x25 Self Lock.	6
9	JG 1312 03	Tyre Rear	1
10	30 1510 82	Shaft Seal Ring 26x42x8 (Oil Seal)	1
11	39 2242 20	Ball Bearing 6302	1
12	JG 1312 06	Bearing Spacer Tube Rear	1
13	39 2241 20	Ball Bearing 6202	1
14	DK 1510 26	Valve Cpl.	1
15	JG 1312 18	Spacer Bushing Krt Inside	1
16	JG 1312 19	Damping Rubber	1
17	36 JG00 14	Coupling Assly.	1
18	JG 1312 17	Stud M10	4
19	JU 1410 02	Sprocket 42 T.	1
20	DK 1510 13	Ball Bearing 6005 Rs	4
21	DK 1510 12	Shaft Seal Ring 30x47x8 (Oil Seal)	1
22	JG 1312 16	Twist Lock Washer	2
23	LC B000 04	Flanged Nut M10x1,25 H6 Ws14	4
24	JG 1312 24	Axle Rear Cpl.	1
25	30 1510 98	Support	1
26	JU 1410 01	Drive Chain 110 Link	1
27	JC 1510 16	Coupling	1
28	36 JU00 18	Kit Chain Sprocket	1
29	DV 1010 48	Sprocket Output (14T)	1

# WIRING HARNESS

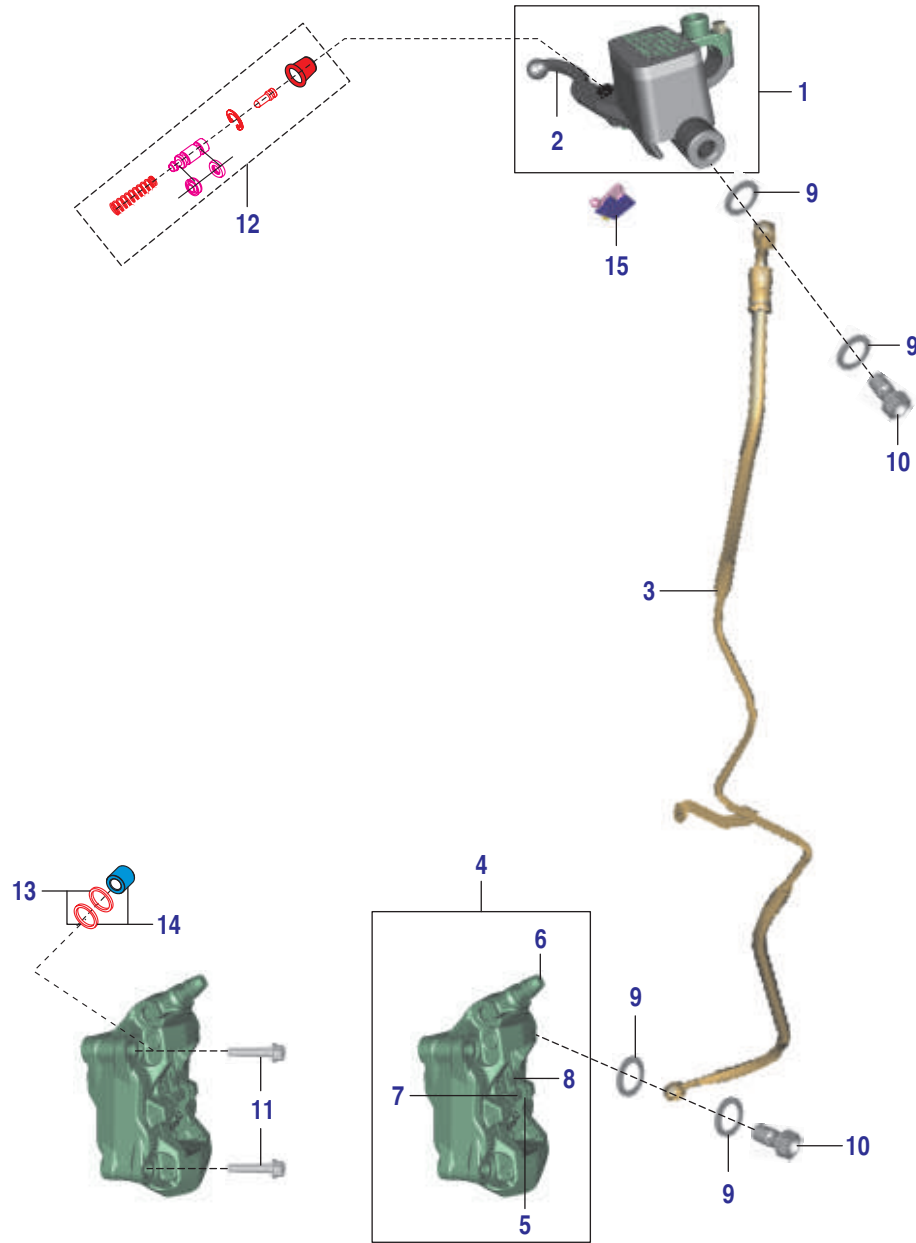
200 Duke



No.	Part No.	Description	Qty
1	JU 4022 02	Wiring Harness	1
2	JG 4016 01	DC Horn	1
3	LD B000 21	Washer 8,2x16x1,5	1
4	KA DM08 20	HH Collar Screw M8x20 Sw12	1
5	JG 4020 04	Integral Unit	1
6	JL 4030 00	Relay	5
6A	JL 4030 01	Relay With Diode	1
7	JG 4032 00	Roll Over Sensor	1
8	JG 4018 01	Battery Band	1
9	JN 3516 04	Starter Relay	1
10	LA E000 10	HH Collar Screw M5x13 Sw8	2
11	JG 4020 03	Voltage Regulator	1
12	JG 1138 12	Bracket Voltage Regulator	1
13	KA DM06 25	HH Collar Screw M6X25 Sw10	2
14	JD 4022 17	Cable Ties For Harness 200mm	18
	PA 4022 04	Cable Ties For Harness 100mm	5
15	JG 4022 03	Ground Cable	1
16	JG 4022 28	Fuse 10A	1
17	JG 4022 29	Fuse 15A	4
18	JG 4022 30	Fuse 30A	1
19	36 JU00 15	Battery	1
20	JU 4022 01	Cable Assly Earth	1
21	JC 2010 27	Starter Cable	1
22	60 1114 18	Cable Tie	1

# BRAKE SYSTEM - FRONT

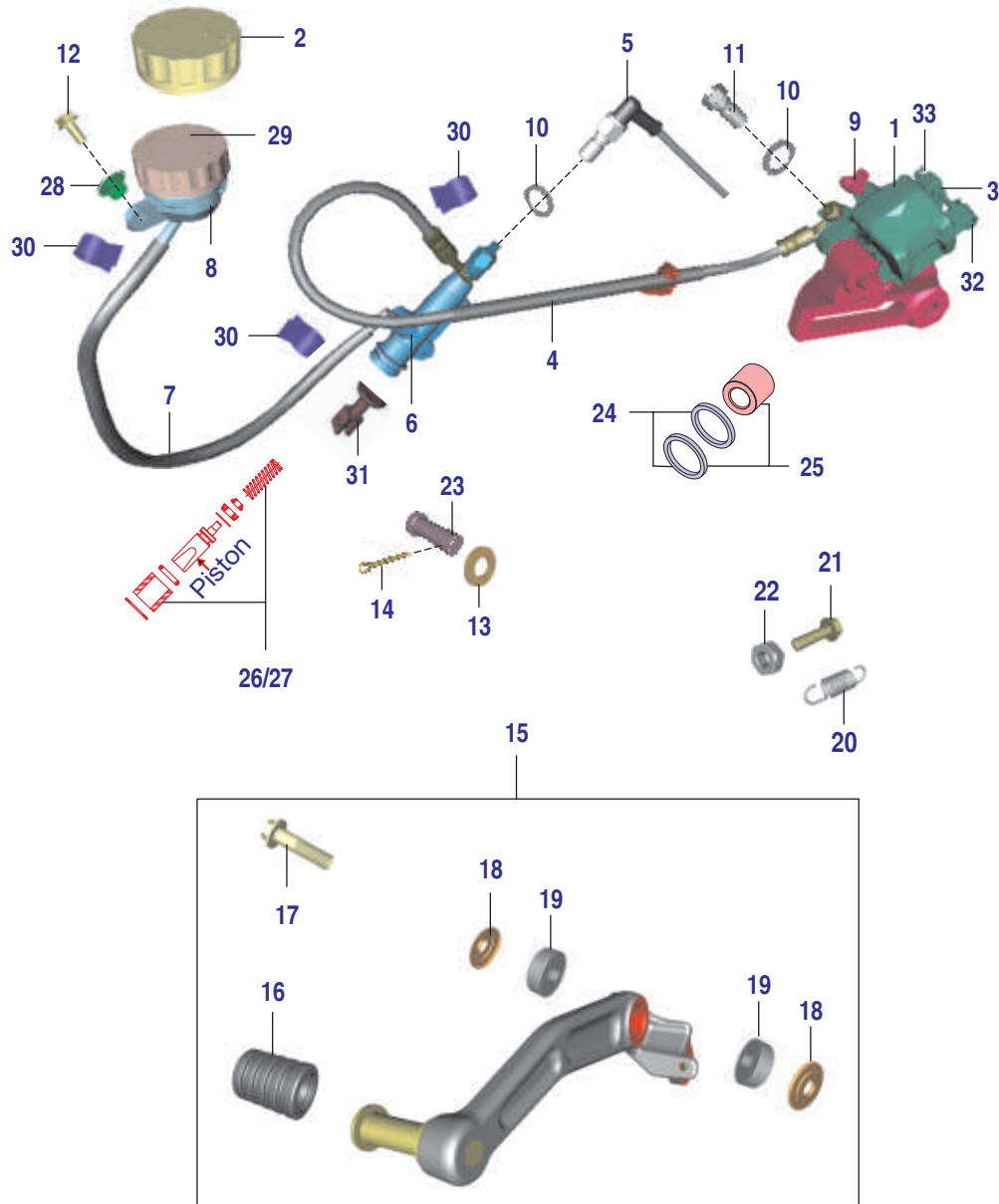
200 Duke



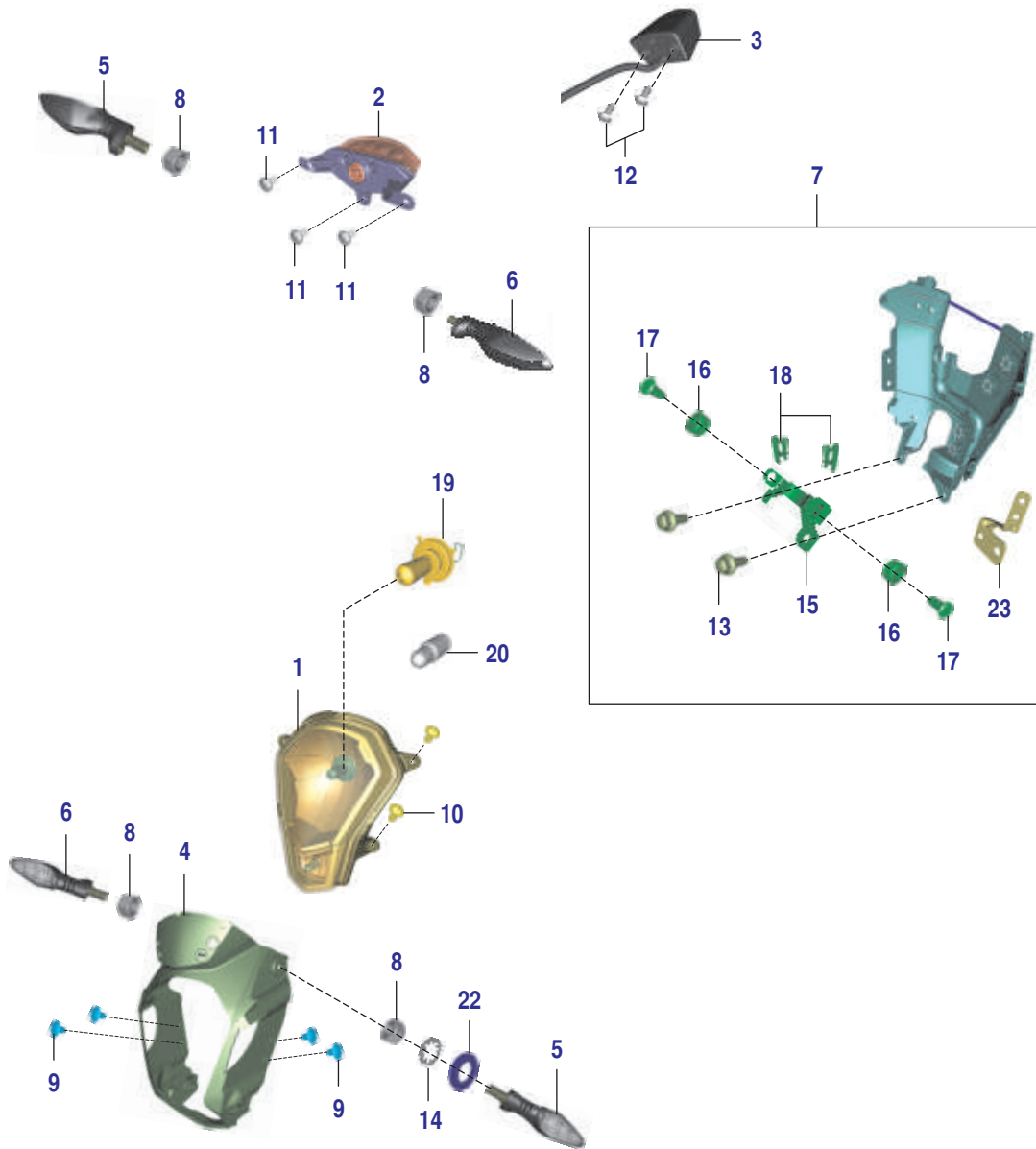
No.	Part No.	Description	Qty
1	JG 1318 26	Hand Brake Cylinder Cpl.	1
2	DJ 1910 57	Hand Brake Lever	1
3	JG 1318 05	Brake Hose Front	1
4	JG 1318 04	Brake Caliper Radial	1
5	JG 1318 10	Brake Pads Front	1
6	JG 1318 11	Bleeder Screw	1
7	59 0400 48	Bolt F. Brake Pads	1
8	JG 1318 13	Spring Clip	1
9	DE 1910 10	Copper Gasket	4
10	DK 1510 69	Banjo Screw	2
11	LA D000 37	HH Collar Screw M8x 1x50 SW12SS	2
12	36 Dh40 48	Major Kit Master Cylinder	1
13	JU 1318 16	Minor Kit Caliper Assly.	1
14	JU 1318 15	Major Kit Caliper Assly.	1
15	DJ 2011 09	Front Brake Switch	1

# BRAKE SYSTEM - REAR

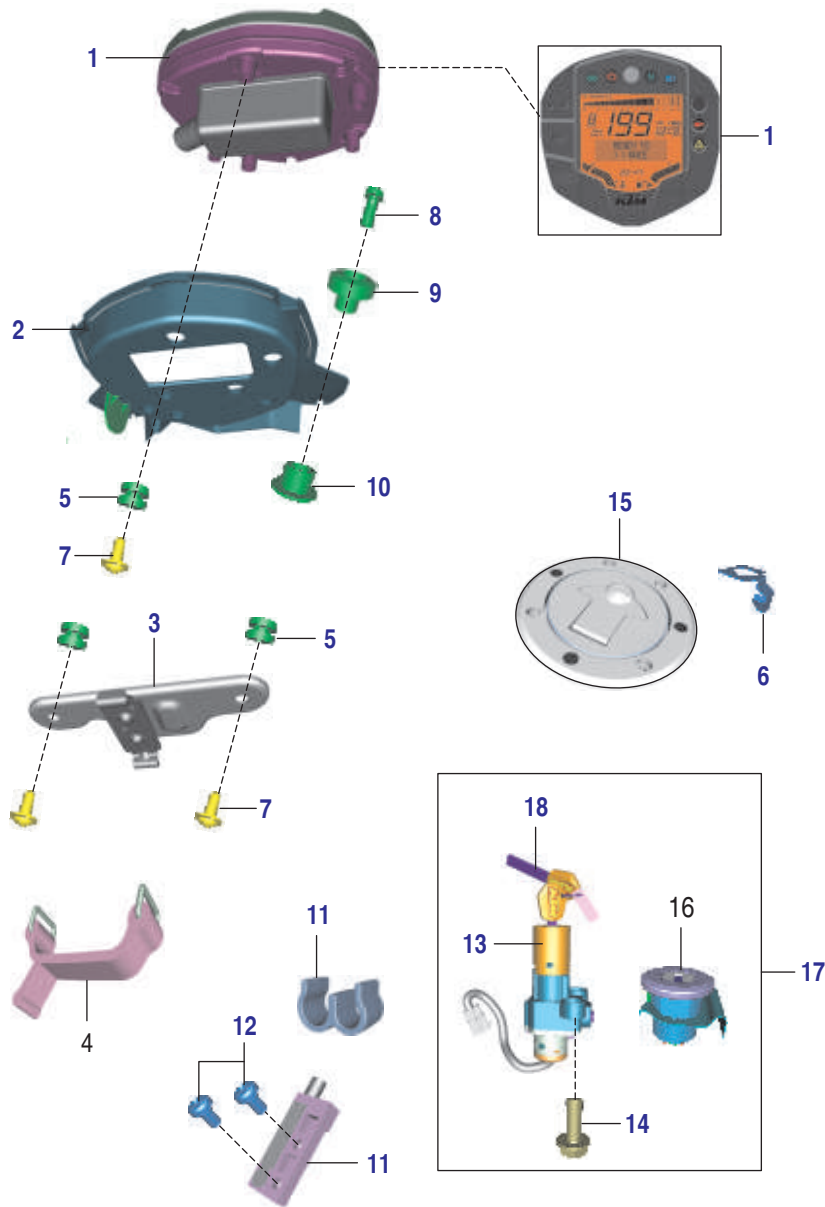
200 Duke



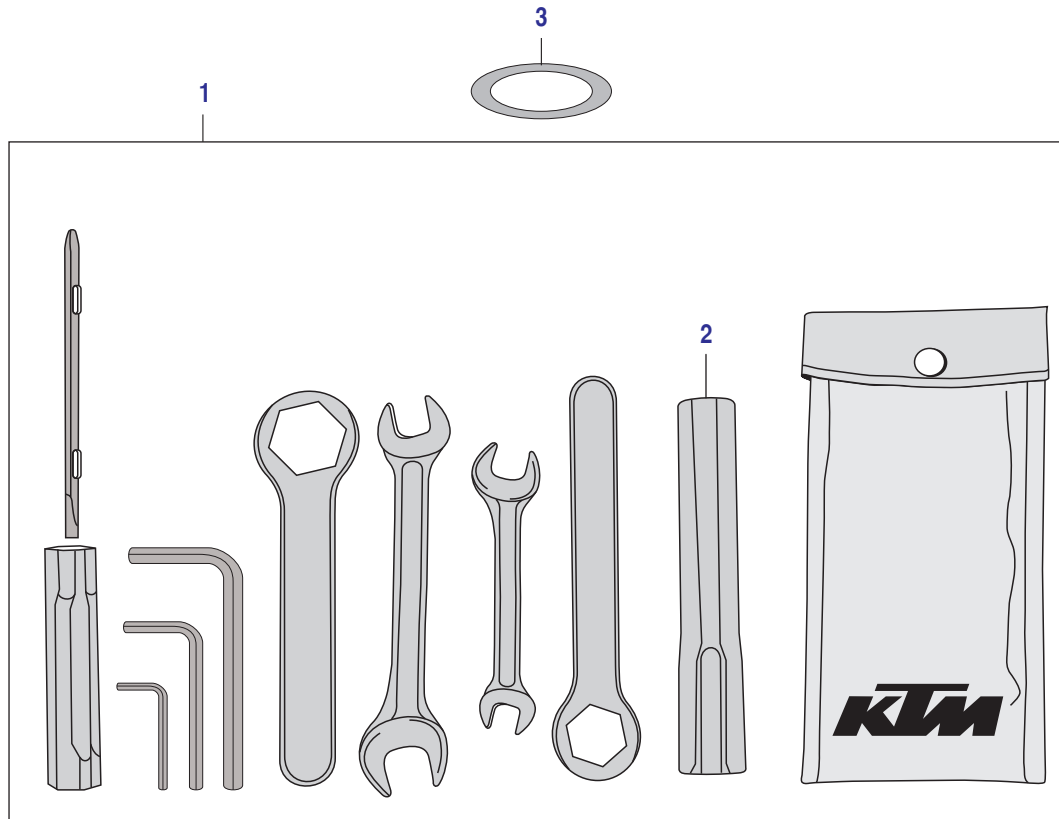
No.	Part No.	Description	Qty
1	JG 1318 15	Brake Caliper Rear Cpl.	1
2	DK 1510 45	Rear Master Cylinder Cap	1
3	DK 1510 85	Rear Brake Pads	1
4	JG 1318 07	Brake Hose Rear	1
5	JG 4014 00	Brake Light Switch Rear	1
6	JG 1318 08	Rear Brake Cylinder Cpl.	1
7	JG 1318 22	Hose F. Reservoir	1
8	36 JG00 18	Brake Fluid Reservoir Cpl.	1
9	DE 1510 46	Bleeder Screw	1
10	DE 1910 10	Copper Gasket	4
11	DK 1510 69	Banjo Screw	1
12	KA DM06 14	HH Collar Screw M6x12 Sw8	1
13	KD BE06 13	Plain Washer 6,5x13x1	1
14	KH AD20 15	Pin 2x15mm	1
15	36 JU00 33	Kit Foot Brake Lever Alt. 36 JU00 39	1
16	JG 1130 10	Rubber For Brake Pedal	1
17	JG 1130 63	HH Collar Screw M8x30 Ss Sw10 Alt. JG 1130 68	1
18	JG 1130 62	Washer Brake Lever	2
19	JG 1130 61	Bearing Brake Lever	2
20	JG 1610 01	Spring Foot Brake Lever	1
21	KA DM06 20	HH Collar Screw M6x20 Sw10	1
22	KC AJ06 05	Hexagon Nut M6	1
23	LH A000 01	Pin	1
24	36 DK00 67	Minor Kit Caliper Assly. (w/o Piston)	1
25	36 DK00 68	Major Kit Caliper Assly. (with Piston)	1
26	36 DK00 69	Major Kit Master Cylinder (with Piston)	1
27	36 DK00 70	Minor Kit Master Cylinder (w/o Piston)	1
28	JG 1812 39	Collar Bushing	1
29	DK 1510 72	Diaphragm Reservoir	1
30	DK 1510 63	Clip For Reservoir Tube	3
31	DK 1510 43	Push Rod	1
32	JG 1318 30	Pin Pad	1
33	DE 1510 41	Clip for Pin Pad	1



No.	Part No.	Description	Qty
1	JG 4010 00	Head Light	1
2	JG 4010 01	Rear Light Led	1
3	JG 4010 06	License Plate Illumination	1
4	JG 1812 26	Mask Carrier	1
5	JG 4010 03	Flasher Cpl. Re. R/S Fr. L/s	2
6	JG 4010 02	Flasher Cpl. Re. L/S Fr. R/s	2
7	JG 1812 25	Head Light Cover Rear Cpl.	1
8	LC A000 05	Flanged Nut	4
9	JG 1812 59	Rivet Snap	4
10	LB R000 02	Self Tapping Screw K50x12 T20	4
11	LB U000 09	Cheese-head Screw M5x15	3
12	LB R000 03	Cross Pan Screw 4x12 Ph	2
13	KA EM06 16	HH Collar Screw M6x16 Sw10	2
14	LD A000 12	Plain Washer For Indicator	4
15	JG 1812 45	Hinge Bkt Head L. - Cover	1
16	JG 1812 42	Grommet Mask Carr. Pivot Bkt	2
17	LA D000 46	Safety Bolt 8x1,5	2
18	JG 1812 43	Sec. Clip Mask Carr. Pivot Bkt	2
19	DG 2010 71	Head Light Bulb	1
20	DJ 2010 72	Pilot Bulb	1
21	LD F000 02	Toothed Washer	4
22	JG 4010 27	Head Light Dust Cap	4
23	JG 1812 49	Bracket for Harness Routing	1



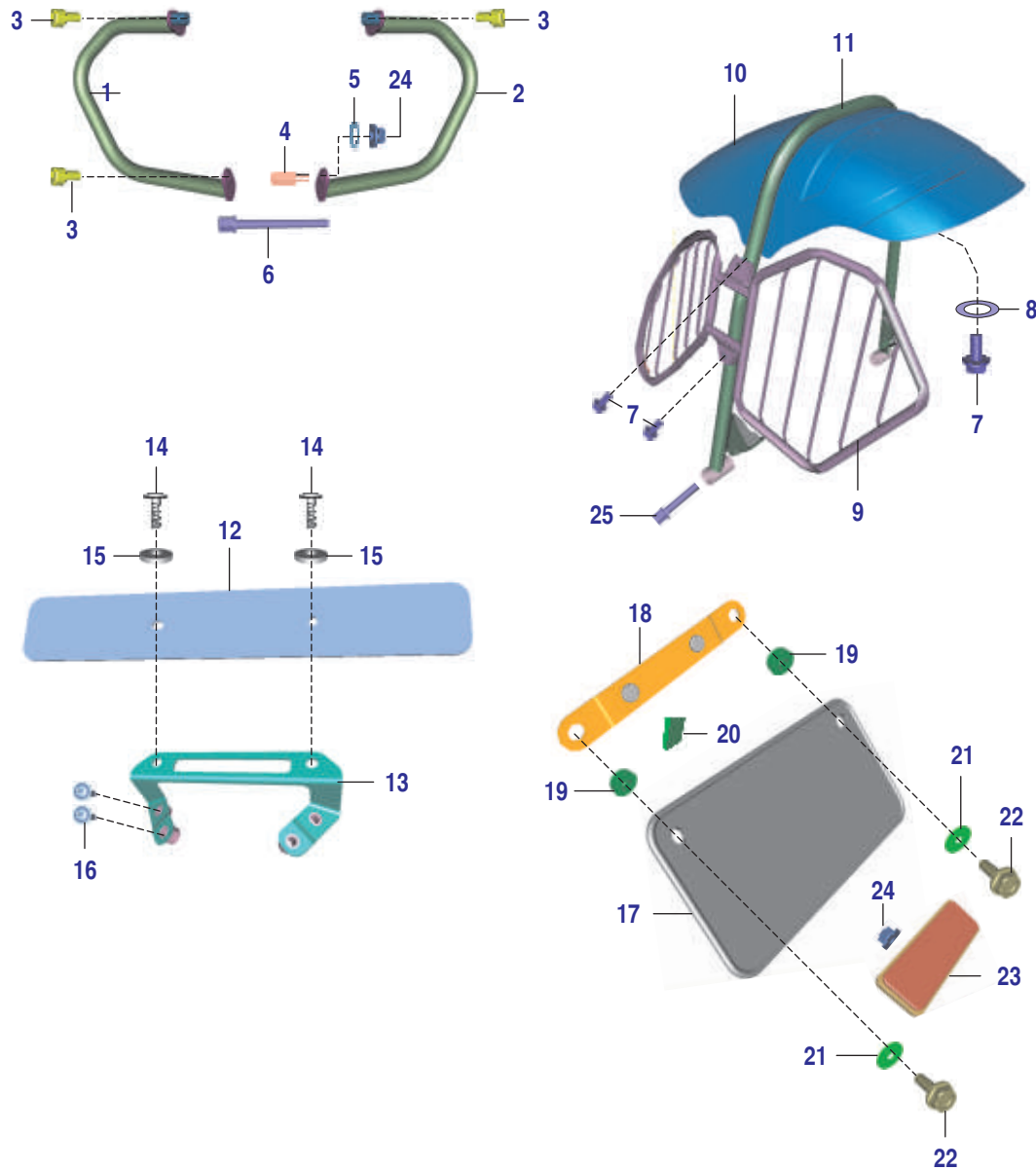
No.	Part No.	Description	Qty
1	JG 4024 01	Speedometer	1
2	JG 1812 27	Speedometer Support	1
3	JG 1812 57	Bracket F. Speedom.conn.	1
4	JG 1812 58	Rub. Strap F. Bkt Speedom.conn	1
5	JG 1812 38	Grommet Dashboard	3
6	JG 2326 03	Bracket Seat Lock	1
7	LB R000 02	Self Tapping Screw K50x12 T20	3
8	LA C000 10	AH Screw M6X15 10.9	2
9	JG 1812 40	Special Washer	2
10	JG 1812 39	Collar Bushing	2
11	JG 4024 00	Speedometer Sensor	1
12	LB B000 05	Pan Cross Screw M4	2
13	JG 4014 01	Ignition Lock	1
14	LA D000 77	HH Collar Screw M6x16 Sw10	2
15	JG 1710 44	Tank Cap	1
16	JG 2326 02	Seat Lock	1
17	JG 2326 04	Lock Set	1
18	JG 2326 05	Blank Key Set	1
19	JG 4036 00	W Clamp for Speed Sensor	1



No.	Part No.	Description	Qty
1	JG 2310 01	Tool Kit	1
2	JG 2310 03	Spark Plug Spanner	1
3	DK 2210 24	Band Tool Kit	1

# LEG GUARD, SAREE GUARD

200 Duke



No.	Part No.	Description	Qty
1	JU 2312 00	Leg Guard LH	1
2	JU 2312 01	Leg Guard RH	1
3	LA C000 29	Bolt Leg Guard Lower Mounting	2
4	JU 2312 05	Special Nut For Leg Guard	2
5	LD C000 01	Washer Leg Guard	2
6	JU 2312 03	Special Bolt For RH Leg Guard	1
7	LA D000 84	Bolt Flanged	5
8	KD BE06 13	Plain Washer	5
9	JU 2312 04	Saree Guard	1
10	JU 1814 05	Cover Mud Rear	1
11	JU 1810 00	Tube Rear Hugger Mounting	1
12	JU 2328 00	Number Plate Front	1
13	JU 2328 05	Bracket Front Number Plate	1
14	LB U000 09	Screw Mushroom Head	2
15	39 2141 24	Washer Non Metallic	2
16	LA C000 40	Screw Front Number Plate Bracket	4
17	JU 1814 09	Number Plate Rear	1
18	JU 1814 10	Bracket Number Plate Rear	1
19	JU 1814 08	Grommet Number Plate Rear	2
20	JU 1814 12	Dual Lock Tape	2
21	LD B000 31	Plain Washer	2
22	KA DM06 20	Bolt M6	2
23	DD 2010 02	Reflector Reflex	1
24	LC A000 08	Nut	1
25	JU 2312 06	Bolt M8	2

# PART INDEX

200 Duke

Part Number	Figure No.	Page No.
30 1011 95	6	18
30 1410 31	26	24
30 1510 82	10	37
30 1510 98	12	36
30 1510 98	25	37
31 1011 73	7	6
36 DH40 48	12	39
36 DK00 67	24	40
36 DK00 68	25	40
36 DK00 69	26	40
36 DK00 70	27	40
36 JG00 04	2	17
36 JG00 06	1	36
36 JG00 07	1	37
36 JG00 10	8	21
36 JG00 14	17	37
36 JG00 18	8	40
36 JG00 36	8	14
36 JG00 41	14	21
36 JL00 39	20	4
36 JU00 01	2	5
36 JU00 02	6	7
36 JU00 04	17	6
36 JU00 05	17	6
36 JU00 06	17	6
36 JU00 07	1	5
36 JU00 11	10	20
36 JU00 12	1	3
36 JU00 15	19	38
36 JU00 16	1	34
36 JU00 18	28	37

Part Number	Figure No.	Page No.
36 JU00 19	26	21
36 JU00 20	1	2
36 JU00 21	2	1
36 JU00 28	9	32
36 PB00 04	17	21
39 0589 15	23	13
39 0999 06	11	3
39 0999 06	9	16
39 0999 06	6	17
39 0999 06	7	18
39 1017 21	21	16
39 1021 21	11	14
39 1041 19	10	3
39 1043 19	8	2
39 1046 19	15	3
39 1065 04	10	16
39 1075 04	8	16
39 1537 21	18	3
39 1665 11	15	4
39 1773 04	6	2
39 1931 20	3	1
39 1931 20	6	6
39 1990 20	2	3
39 2005 11	18	1
39 2005 11	9	11
39 2017 19	4	14
39 2132 17	5	5
39 2141 24	20	30
39 2141 24	15	44
39 2158 11	2	8
39 2159 11	14	9

Part Number	Figure No.	Page No.
39 2165 11	15	6
39 2165 11	18	18
39 2166 11	3	9
39 2181 06	18	2
39 2181 06	3	5
39 2200 11	10	6
39 2203 07	5	6
39 2241 20	4	36
39 2241 20	13	37
39 2242 20	11	37
39 2557 17	4	17
39 2562 20	20	1
39 2562 20	13	2
39 2601 20	11	1
39 2602 20	8	1
39 2606 07	16	4
39 2606 07	3	10
39 2669 21	14	15
39 2699 20	16	16
59 0400 05	18	21
59 0400 48	7	39
59 2000 06	11	2
59 2000 36	14	1
59 2000 36	2	4
59 2100 23	17	17
60 1114 18	22	1
AA 1014 37	17	3
BF 5510 37	6	8
BF 5510 37	5	9
BF 6214 02	6	19
CS 1011 28	13	15

Part Number	Figure No.	Page No.
DD 1110 12	21	18
DD 2010 02	23	44
DE 1510 46	9	40
DE 1910 10	9	39
DE 1910 10	10	40
DG 1010 29	7	14
DG 1014 18	8	3
DG 1014 56	10	2
DG 1510 05	3	36
DG 2010 71	19	41
DH 1010 48	9	4
DH 1012 35	2	9
DH 1013 89	6	10
DH 1013 92	12	15
DH 1013 96	16	6
DH 1013 96	19	18
DH 1016 48	13	7
DJ 1013 00	5	1
DJ 1013 02	9	1
DJ 1013 02	15	2
DJ 1013 14	12	1
DJ 1612 29	13	34
DJ 1910 57	2	39
DJ 1910 81	14	22
DJ 1910 83	13	22
DJ 2010 72	20	41
DJ 2011 09	15	39
DK 1012 25	17	16
DK 1012 84	17	18
DK 1013 40	18	16
DK 1013 52	15	9

Part Number	Figure No.	Page No.
DK 1013 86	10	4
DK 1014 45	3	19
DK 1014 50	3	19
DK 1014 51	3	19
DK 1014 52	3	19
DK 1410 05	3	32
DK 1510 12	21	37
DK 1510 13	20	37
DK 1510 26	11	36
DK 1510 26	14	37
DK 1510 43	31	40
DK 1510 45	2	40
DK 1510 63	30	40
DK 1510 69	10	39
DK 1510 69	11	40
DK 1510 72	29	40
DK 1510 85	3	40
DK 1810 75	16	21
DK 1810 76	15	21
DK 2210 24	3	43
DP 1011 14	16	7
DP 1011 91	23	1
DP 1012 43	15	7
DS 1011 54	8	4
DS 1012 15	9	3
DS 1211 26	8	29
DS 1610 82	6	12
DS 1611 56	7	20
DS 1910 52	10	22
DS 2110 04	14	31
DV 1010 48	19	9

# PART INDEX

200 Duke

Part Number	Figure No.	Page No.
DV 1010 48	29	37
EC 5610 23	2	10
FD 2110 06	12	31
JA 5410 21	16	17
JC 1410 17	7	12
JC 1510 16	27	37
JC 2010 27	8	19
JC 2010 27	21	1
JD 1318 11	8	37
JD 4022 17	14	38
JF 5310 07	2	6
JF 5310 14	3	6
JG 1111 10	1	23
JG 1130 01	3	23
JG 1130 07	25	24
JG 1130 08	14	11
JG 1130 10	16	11
JG 1130 10	16	40
JG 1130 20	7	23
JG 1130 24	2	23
JG 1130 29	6	23
JG 1130 31	19	40
JG 1130 34	29	24
JG 1130 35	30	24
JG 1130 39	5	23
JG 1130 40	4	23
JG 1130 41	9	23
JG 1130 42	8	23
JG 1130 43	16	23
JG 1130 43	24	24
JG 1130 52	32	24

Part Number	Figure No.	Page No.
JG 1130 60	17	11
JG 1130 60	18	40
JG 1130 61	15	11
JG 1130 61	32	40
JG 1130 62	19	11
JG 1130 63	18	11
JG 1130 63	17	40
JG 1132 03	1	25
JG 1132 04	2	25
JG 1132 07	3	25
JG 1132 10	9	25
JG 1134 00	11	23
JG 1134 01	10	23
JG 1134 03	19	23
JG 1134 04	14	28
JG 1138 00	12	23
JG 1138 02	15	23
JG 1138 04	9	12
JG 1138 05	8	12
JG 1138 06	4	13
JG 1138 08	5	31
JG 1138 09	4	31
JG 1138 10	36	24
JG 1138 12	12	38
JG 1138 14	33	24
JG 1138 15	34	24
JG 1138 37	11	28
JG 1138 39	21	13
JG 1210 04	9	21
JG 1210 11	13	21
JG 1210 12	10	21

Part Number	Figure No.	Page No.
JG 1210 13	11	21
JG 1220 04	18	27
JG 1220 07	5	37
JG 1220 09	16	27
JG 1220 10	17	27
JG 1220 11	15	27
JG 1220 12	13	27
JG 1220 15	14	23
JG 1220 16	5	27
JG 1220 26	14	27
JG 1220 28	8	27
JG 1220 32	11	27
JG 1220 33	12	27
JG 1220 34	20	27
JG 1220 35	1	27
JG 1220 36	2	27
JG 1310 02	5	36
JG 1310 03	6	36
JG 1310 04	9	36
JG 1310 06	7	36
JG 1310 07	8	36
JG 1312 03	9	37
JG 1312 06	12	37
JG 1312 11	6	37
JG 1312 12	3	37
JG 1312 13	24	37
JG 1312 16	22	37
JG 1312 17	18	37
JG 1312 18	15	37
JG 1312 19	16	37
JG 1318 01	2	36

Part Number	Figure No.	Page No.
JG 1318 02	10	36
JG 1318 04	4	39
JG 1318 05	3	39
JG 1318 07	4	40
JG 1318 08	6	40
JG 1318 09	7	37
JG 1318 10	5	39
JG 1318 11	6	39
JG 1318 13	8	39
JG 1318 15	1	40
JG 1318 22	7	40
JG 1318 26	1	39
JG 1510 02	5	21
JG 1510 12	22	21
JG 1510 13	21	21
JG 1510 14	6	21
JG 1510 18	1	22
JG 1510 20	7	21
JG 1510 21	23	21
JG 1510 23	2	22
JG 1510 27	3	22
JG 1510 29	19	21
JG 1610 01	20	40
JG 1610 04	15	40
JG 1610 07	11	22
JG 1612 00	8	22
JG 1612 01	9	22
JG 1710 18	10	32
JG 1710 20	13	30
JG 1710 20	8	31
JG 1710 22	14	30

Part Number	Figure No.	Page No.
JG 1710 22	9	31
JG 1710 23	6	31
JG 1710 24	12	30
JG 1710 25	8	30
JG 1710 26	11	20
JG 1710 27	15	30
JG 1710 29	5	13
JG 1710 29	6	32
JG 1710 30	9	30
JG 1710 31	19	30
JG 1710 31	13	33
JG 1710 33	22	30
JG 1710 34	24	30
JG 1710 35	23	30
JG 1710 36	25	30
JG 1710 37	26	30
JG 1710 40	15	20
JG 1710 44	2	30
JG 1710 44	15	42
JG 1710 46	15	20
JG 1710 47	15	20
JG 1710 47	15	20
JG 1710 53	4	30
JG 1710 54	18	30
JG 1710 55	3	30
JG 1710 56	1	30
JG 1718 00	1	32
JG 1718 02	2	32
JG 1718 03	4	32
JG 1718 03	5	32
JG 1812 05	9	33

# PART INDEX

200 Duke

Part Number	Figure No.	Page No.
JG 1812 06	10	33
JG 1812 07	11	33
JG 1812 10	4	27
JG 1812 11	2	34
JG 1812 19	4	34
JG 1812 20	6	34
JG 1812 25	7	41
JG 1812 26	4	41
JG 1812 27	2	42
JG 1812 30	2	33
JG 1812 31	5	34
JG 1812 32	21	27
JG 1812 33	22	27
JG 1812 34	3	34
JG 1812 36	18	33
JG 1812 38	5	42
JG 1812 39	28	40
JG 1812 39	10	42
JG 1812 40	9	42
JG 1812 42	16	41
JG 1812 43	18	41
JG 1812 45	15	41
JG 1812 49	23	41
JG 1812 50	8	13
JG 1812 52	7	34
JG 1812 52	12	34
JG 1812 53	10	34
JG 1812 54	8	34
JG 1812 55	11	34
JG 1812 57	3	42
JG 1812 58	4	42

Part Number	Figure No.	Page No.
JG 1812 59	9	41
JG 1814 03	12	33
JG 1814 06	3	27
JG 1814 08	20	33
JG 1910 00	1	31
JG 1910 03	2	31
JG 1910 06	13	31
JG 1910 08	11	31
JG 1910 09	10	31
JG 2310 01	1	43
JG 2310 03	2	43
JG 2314 04	5	33
JG 2314 05	6	33
JG 2316 00	7	22
JG 2316 01	6	22
JG 2326 01	3	31
JG 2326 02	16	42
JG 2326 03	6	42
JG 2326 04	17	42
JG 2326 05	18	42
JG 2330 01	21	23
JG 2330 08	2	35
JG 2330 09	3	35
JG 2330 38	4	35
JG 2330 39	5	35
JG 2330 44	14	35
JG 2330 45	15	35
JG 2330 69	8	35
JG 2330 70	9	35
JG 2330 71	10	35
JG 2330 72	11	35

Part Number	Figure No.	Page No.
JG 2330 80	30	21
JG 3510 02	7	2
JG 3510 05	3	18
JG 3510 21	4	18
JG 3512 01	22	18
JG 3512 02	12	18
JG 3512 03	10	18
JG 3512 08	11	18
JG 3512 09	13	18
JG 3514 00	15	16
JG 3516 00	1	19
JG 4010 00	1	41
JG 4010 01	2	41
JG 4010 02	6	41
JG 4010 03	5	41
JG 4010 06	3	41
JG 4010 27	22	41
JG 4014 00	5	40
JG 4014 01	13	42
JG 4014 02	8	25
JG 4014 06	5	22
JG 4014 11	4	25
JG 4014 16	12	22
JG 4016 01	2	38
JG 4018 01	8	38
JG 4018 08	13	23
JG 4020 03	11	38
JG 4020 04	5	38
JG 4022 03	15	38
JG 4022 28	16	38
JG 4022 29	17	38

Part Number	Figure No.	Page No.
JG 4022 30	18	38
JG 4024 00	11	42
JG 4024 01	1	42
JG 4032 00	7	38
JG 5010 08	7	16
JG 5090 03	8	17
JG 5110 10	5	28
JG 5110 16	12	14
JG 5110 21	20	16
JG 5110 22	19	16
JG 5110 29	3	16
JG 5110 30	2	16
JG 5110 42	3	14
JG 5110 46	13	16
JG 5112 11	15	15
JG 5112 43	10	14
JG 5112 46	4	15
JG 5112 47	10	15
JG 5112 50	7	15
JG 5112 53	5	16
JG 5112 55	5	14
JG 5112 59	6	14
JG 5112 61	6	15
JG 5112 62	5	15
JG 5112 69	3	15
JG 5210 08	4	5
JG 5310 27	8	6
JG 5310 31	9	6
JG 5310 39	13	6
JG 5310 40	14	6
JG 5310 41	12	6

Part Number	Figure No.	Page No.
JG 5312 07	7	4
JG 5312 11	3	4
JG 5312 12	4	4
JG 5312 15	5	4
JG 5312 20	2	4
JG 5410 15	12	2
JG 5410 20	17	2
JG 5410 21	13	3
JG 5410 21	6	16
JG 5410 41	16	2
JG 5410 43	14	2
JG 5410 44	5	2
JG 5410 45	22	1
JG 5410 46	4	1
JG 5410 47	11	15
JG 5410 48	9	15
JG 5410 53	10	17
JG 5410 58	19	2
JG 5410 59	10	1
JG 5410 61	7	1
JG 5410 63	4	2
JG 5410 68	11	16
JG 5412 07	14	18
JG 5412 21	12	3
JG 5412 22	1	18
JG 5412 23	9	18
JG 5412 24	2	18
JG 5412 30	7	3
JG 5412 31	16	3
JG 5412 32	5	18
JG 5510 00	12	9

Part Number	Figure No.	Page No.
JG 5510 10	16	9
JG 5510 13	3	8
JG 5510 13	20	9
JG 5510 15	5	3
JG 5510 17	4	3
JG 5510 19	17	9
JG 5510 20	5	8
JG 5510 20	8	9
JG 5510 21	9	9
JG 5510 22	10	8
JG 5510 25	1	9
JG 5510 27	1	8
JG 5512 13	4	8
JG 5512 14	7	8
JG 5512 15	10	9
JG 5512 16	4	6
JG 5512 20	8	8
JG 5512 22	6	9
JG 5512 23	7	9
JG 5512 24	11	9
JG 5512 25	13	9
JG 5512 27	9	8
JG 5512 28	4	9
JG 5514 23	14	7
JG 5514 27	2	7
JG 5514 28	4	7
JG 5514 43	9	7
JG 5514 47	7	7
JG 5514 49	5	7
JG 5514 51	11	7
JG 5610 08	12	10

Part Number	Figure No.	Page No.
JG 5610 09	17	1
JG 5610 09	8	11
JG 5610 10	4	10
JG 5610 11	1	10
JG 5610 12	7	10
JG 5610 13	8	10
JG 5610 16	9	10
JG 5612 00	1	11
JG 5612 04	15	1
JG 5612 04	6	11
JG 5612 05	16	1
JG 5612 05	7	11
JG 5612 15	11	10
JG 5612 15	2	11
JG 5612 16	5	11
JG 5612 17	4	11
JG 5612 18	3	11
JG 5612 22	5	10
JG 5612 25	10	10
JG 5612 26	19	1
JG 5612 26	10	11
JG 5710 14	11	17
JG 5710 15	13	17
JG 5710 16	12	17
JG 5710 18	3	17
JG 5710 24	5	17
JG 5710 28	9	17
JG 5810 04	5	29
JG 5810 14	11	12
JG 5810 33	3	29
JG 5810 36	6	29

Part Number	Figure No.	Page No.
JG 5810 47	4	29
JG 5810 56	10	29
JG 5810 58	12	29
JG 5810 60	7	29
JG 5810 61	9	29
JG 5814 07	8	20
JG 5814 16	4	20
JG 5814 19	6	20
JG 5814 24	5	20
JG 5910 38	6	28
JG 5910 39	7	28
JG 5910 53	9	28
JG 5910 55	8	28
JG 5910 64	3	28
JG 5910 68	12	28
JG 5910 70	4	28
JG 5910 96	15	28
JG 6010 05	6	4
JG 6010 07	6	1
JG 6010 07	19	4
JG 6010 11	12	4
JG 6010 12	13	4
JG 6010 13	11	4
JG 6010 14	9	13
JG 6010 16	17	13
JG 6010 18	13	13
JG 6010 19	14	13
JG 6012 08	1	13
JG 6012 09	16	13
JG 6012 10	18	13
JG 6012 11	2	13

Part Number	Figure No.	Page No.
JG 6012 13	6	13
JG 6012 15	7	13
JG 6012 18	15	13
JG 6012 20	10	13
JG 6012 21	20	13
JG 6012 22	12	13
JG 6012 23	11	13
JG 6012 29	17	12
JG 6012 30	3	13
JG 6012 35	18	12
JG 6012 36	1	12
JG 6014 00	3	12
JG 6110 04	2	20
JG 6110 06	3	20
JG 6214 12	4	19
JG 6214 13	2	19
JG 6214 17	5	19
JG 7101 4M	1	33
JG 7202 4M	27	30
JG 7202 4W	7	30
JG 7202 5C	5	30
JG 7202 5S	28	30
JG 7203 4W	6	30
JG 7204 4W	28	33
JG 7204 4W	32	33
JG 7205 4W	29	33
JG 7205 4W	33	33
JG 7301 4M	26	33
JG 7301 5C	3	33
JG 7301 5S	30	33
JG 7302 4W	27	33

Part Number	Figure No.	Page No.
JG 7302 5C	4	33
JG 7302 5S	31	33
JG 7401 5C	7	33
JG 7403 5C	8	33
JG1138 41	31	21
JL 4030 00	6	38
JL 4030 01	6	38
JL 5212 00	6	5
JL 5514 07	12	7
JN 3516 04	9	38
JU 1132 00	5	25
JU 1138 01	16	12
JU 1210 00	1	26
JU 1210 02	1	21
JU 1210 03	2	21
JU 1210 06	3	21
JU 1210 07	4	21
JU 1210 09	12	21
JU 1210 17	27	21
JU 1210 18	29	21
JU 1210 19	28	21
JU 1312 06	2	37
JU 1318 15	14	39
JU 1318 16	13	39
JU 1410 01	26	37
JU 1410 02	19	37
JU 1810 00	11	44
JU 1812 00	5	12
JU 1812 01	4	12
JU 1814 05	10	44
JU 1814 08	19	44

# PART INDEX

200 Duke

Part Number	Figure No.	Page No.
JU 1814 09	17	44
JU 1814 10	18	44
JU 1814 12	20	44
JU 2312 00	1	44
JU 2312 01	2	44
JU 2312 03	6	44
JU 2312 04	9	44
JU 2312 05	4	44
JU 2328 00	12	44
JU 2328 05	13	44
JU 2330 01	6	35
JU 2330 21	16	35
JU 2330 22	17	35
JU 2330 23	13	35
JU 2330 27	18	35
JU 2330 31	7	35
JU 2330 32	12	35
JU 2330 35	1	35
JU 4014 00	4	22
JU 4022 01	20	38
JU 4022 02	1	38
JU 5010 02	1	1
JU 5110 13	4	16
JU 5110 14	1	16
JU 5112 04	9	14
JU 5112 05	2	14
JU 5112 06	1	14
JU 5112 08	1	15
JU 5112 10	2	15
JU 5310 27	1	6
JU 5312 04	1	4

Part Number	Figure No.	Page No.
JU 5312 13	1	4
JU 5410 05	13	1
JU 5514 01	6	3
JU 5514 02	10	7
JU 5514 04	1	7
JU 5514 05	3	7
JU 5514 06	8	7
JU 5614 00	11	11
JU 5614 01	13	11
JU 5710 00	1	17
JU 5810 06	11	29
JU 5810 16	1	29
JU 58100 06	16	20
JU 5814 04	1	20
JU 5814 13	9	20
JU 5910 19	2	28
JU 5910 31	1	28
JU 6012 00	2	12
JW 1610 17	14	34
JY 5514 02	20	18
KA AD06 12	22	13
KA CE06 16	7	27
KA CE06 16	21	33
KA CE06 50	15	34
KA DM06 10	10	12
KA DM06 10	15	12
KA DM06 14	22	33
KA DM06 14	12	40
KA DM06 18	9	34
KA DM06 20	15	31
KA DM06 20	21	40

Part Number	Figure No.	Page No.
KA DM06 20	22	44
KA DM06 22	12	11
KA DM06 25	7	31
KA DM06 25	13	38
KA DM08 20	4	38
KA DP05 16	14	17
KA DQ06 06	17	4
KA DQ06 14	13	28
KA DQ06 20	14	4
KA DQ06 20	16	15
KA DQ06 25	7	19
KA DQ06 30	14	3
KA DQ06 30	16	18
KA DQ06 40	22	2
KA DQ06 45	15	18
KA EM06 10	35	24
KA EM06 12	2	29
KA EM06 16	13	41
KB BF04 08	12	20
KB BG06 12	21	1
KB BG06 12	20	2
KC AJ06 05	22	40
KD BE06 13	16	34
KD BE06 13	13	40
KD BE06 13	8	44
KD CF06 12	14	12
KE BA37 15	9	2
KH AD20 15	14	40
LA A000 07	9	27
LA C000 04	20	21
LA C000 05	25	33

Part Number	Figure No.	Page No.
LA C000 06	2	26
LA C000 10	8	42
LA C000 11	16	30
LA C000 11	17	30
LA C000 13	25	21
LA C000 14	23	18
LA C000 23	22	24
LA C000 29	3	44
LA C000 31	10	30
LA C000 40	16	33
LA C000 40	16	44
LA D000 36	16	28
LA D000 37	11	39
LA D000 38	18	23
LA D000 39	17	23
LA D000 43	24	33
LA D000 44	7	25
LA D000 46	17	41
LA D000 74	13	20
LA D000 75	21	24
LA D000 75	10	28
LA D000 77	14	42
LA D000 80	8	32
LA D000 81	21	2
LA D000 82	19	13
LA D000 84	7	44
LA E000 10	6	25
LA E000 10	19	27
LA E000 10	17	34
LA E000 10	10	38
LA E000 11	12	12

Part Number	Figure No.	Page No.
LA E000 11	20	23
LA E000 14	2	2
LA E000 14	3	2
LA E000 14	37	24
LA E000 16	8	15
LA E000 16	8	18
LA E000 17	18	9
LA E000 18	7	17
LB B000 05	12	42
LB C000 02	14	20
LB R000 02	19	33
LB R000 02	10	41
LB R000 02	7	42
LB R000 03	14	33
LB R000 03	12	41
LB U000 07	23	33
LB U000 09	21	30
LB U000 09	11	41
LB U000 09	14	44
LC A000 05	8	41
LC A000 08	24	44
LC B000 04	23	37
LC D000 01	11	6
LC G000 03	4	26
LC G000 03	10	27
LC G000 04	6	27
LC G000 06	14	16
LC H000 01	24	21
LC L000 02	13	12
LD A000 04	4	37
LD A000 07	15	33

# PART INDEX

Part Number	Figure No.	Page No.
LD A000 08	12	16
LD A000 12	14	41
LD B000 11	3	26
LD B000 13	11	30
LD B000 16	7	32
LD B000 18	23	24
LD B000 19	27	24
LD B000 19	31	24
LD B000 20	3	3
LD B000 21	3	38
LD B000 27	17	33
LD B000 31	21	44
LD C000 01	5	44
LD F000 02	21	41
LE B000 01	24	1
LE B000 01	18	4
LH A000 01	23	40
LH A000 02	28	24
LJ A000 04	15	17
PA 4022 04	14	38

Part Number	Figure No.	Page No.
-------------	------------	----------

Part Number	Figure No.	Page No.
-------------	------------	----------

Part Number	Figure No.	Page No.
-------------	------------	----------

Part Number	Figure No.	Page No.
-------------	------------	----------

